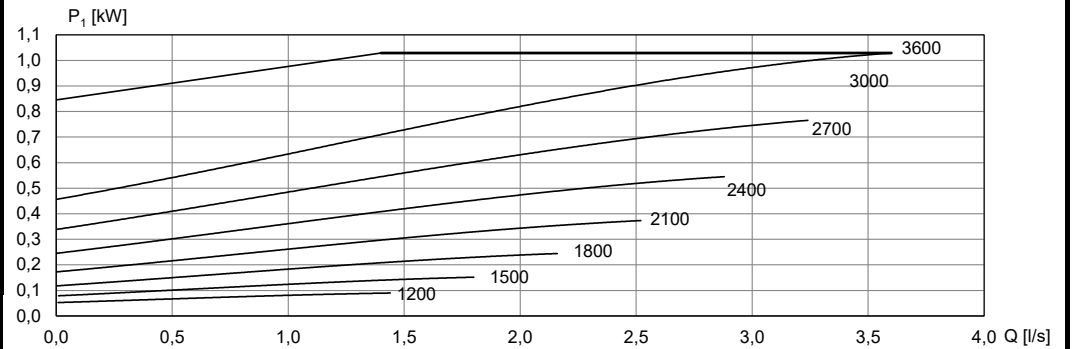
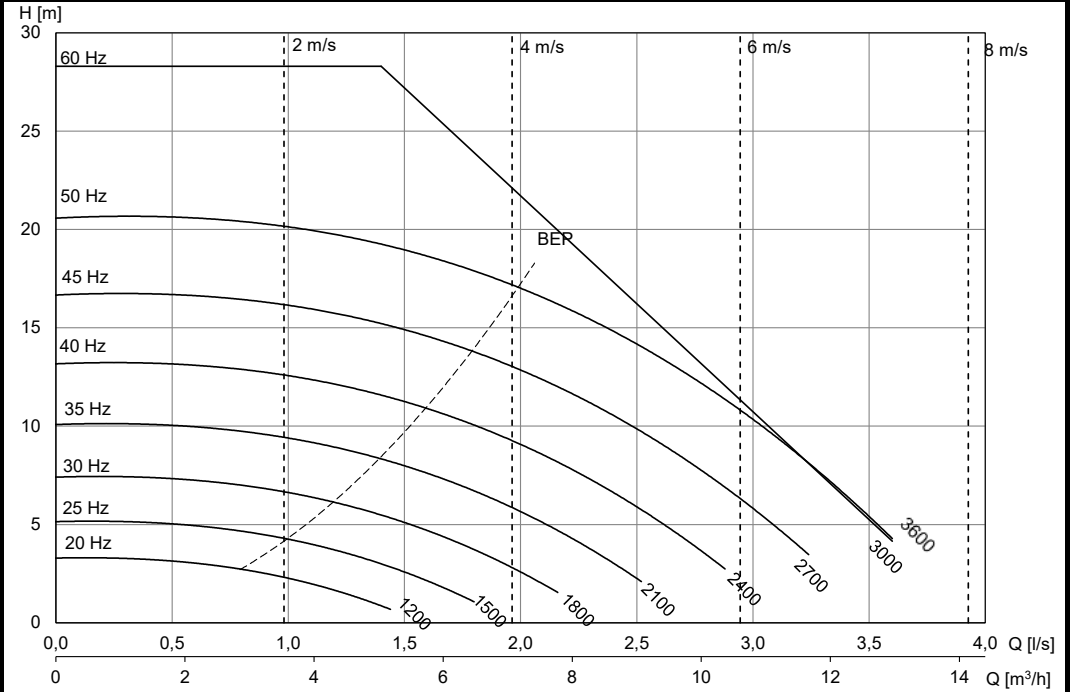
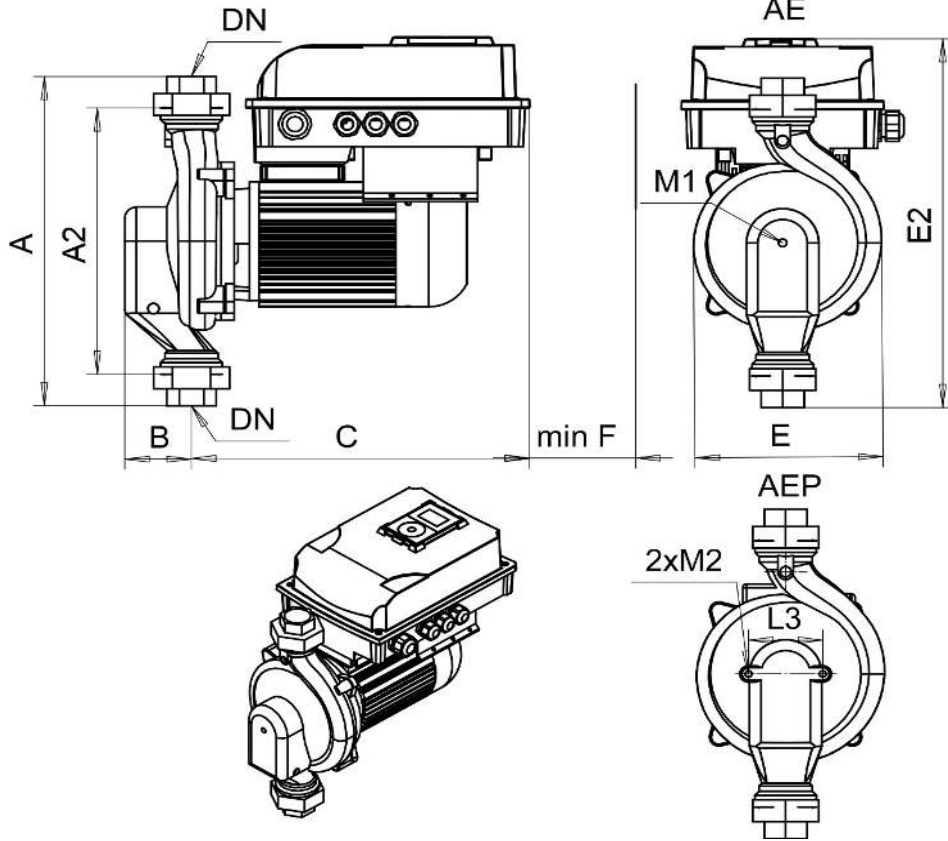


**G 1**

**1200 - 3600 r/min**

**Ø125**

**3~ 400 V**



[mm]								
A	A2	B	C	minF	E	E2	L3	
318	260	53	365	150	170	400	55	

Motor	$P_{2N}$ [kW]	$I_N$ [A] (3x400V)	[kg]
KPVS-80-1 N12	0,65	3,0	23