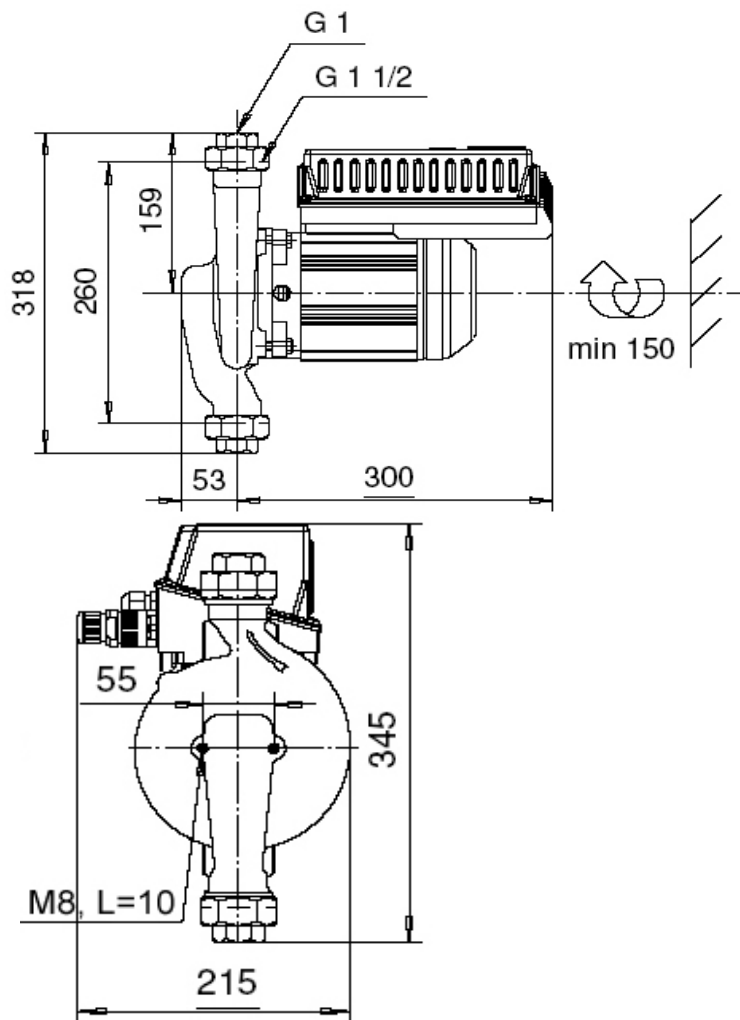


G 1

600 - 1500 r/min

Ø 125 mm

1~ 230 V



| Motor | P_{2N} [kW] | I_N [A] (1x230V) | [kg] |
|--------------|---------------|--------------------|------|
| OPSC-742 N12 | 0,08 | 1,1 | 14 |

