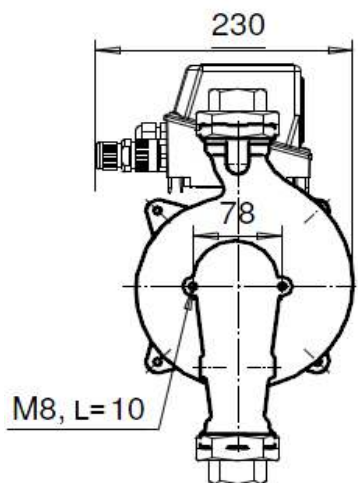
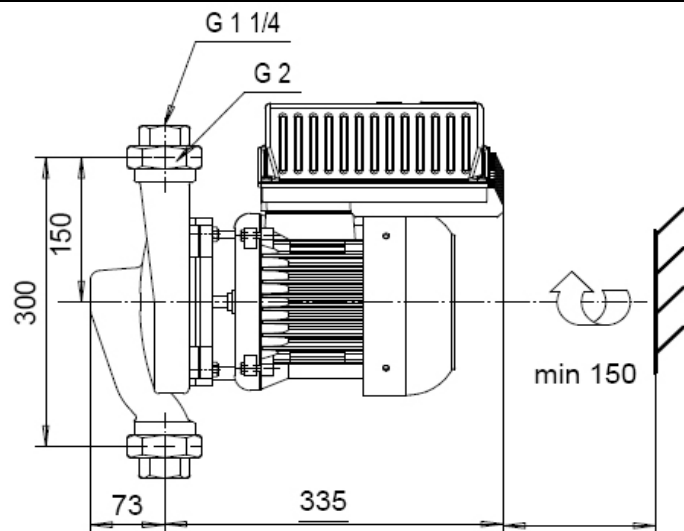


G 1 1/4

600 - 1800 r/min

Ø 135 mm

1~ 230 V



Motor	P_{2N} [kW]	I_N [A] (1x230V)	[kg]
KHSC-100 A2 N13	0,37	3,6	35

