

AE-26/2 NC

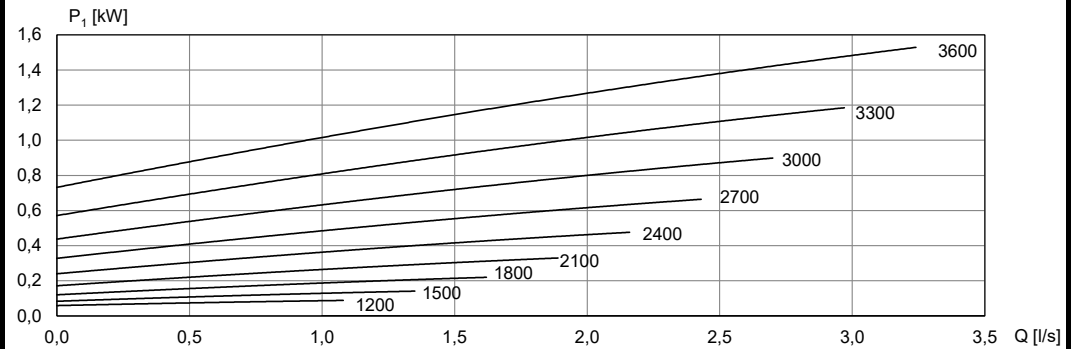
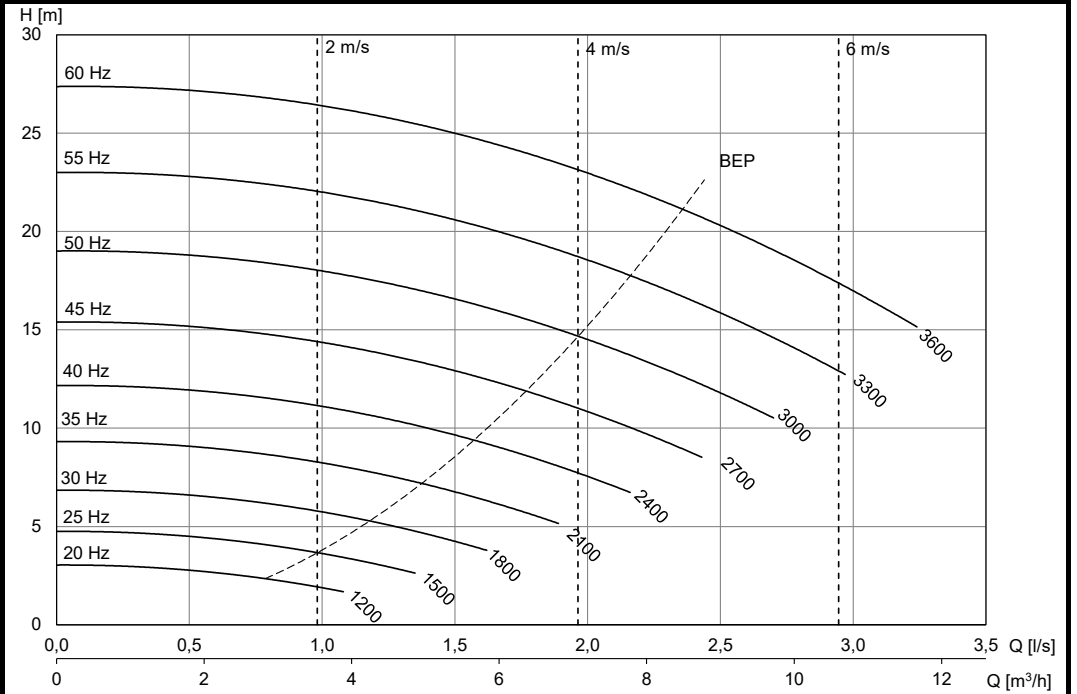
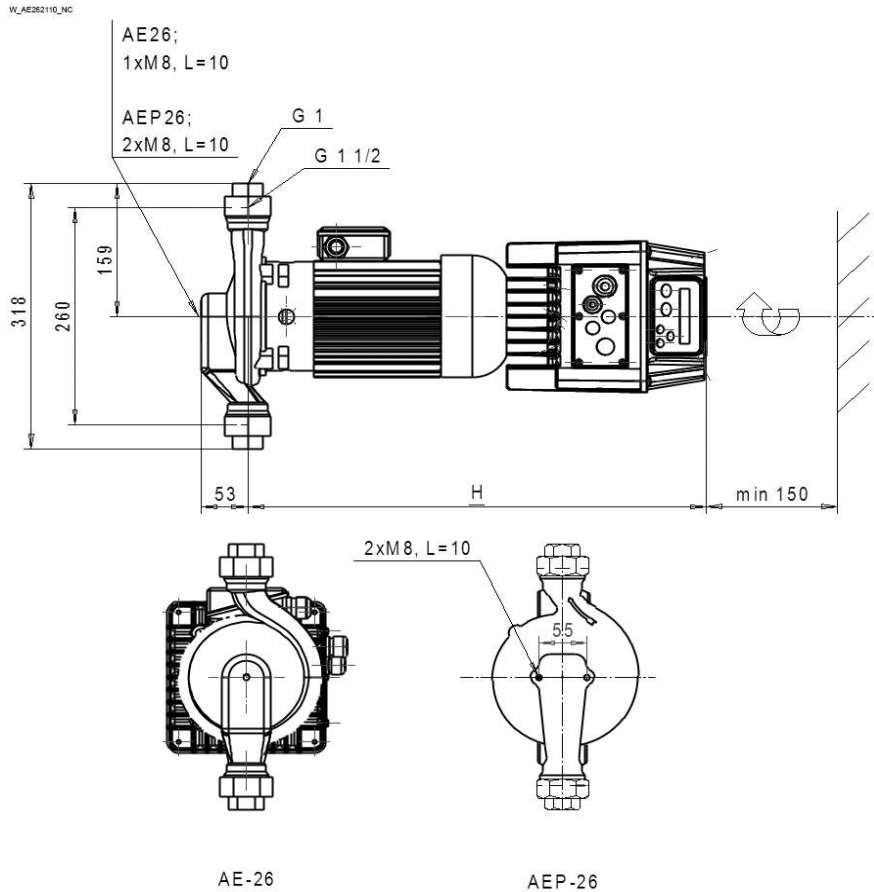
AEP-26/2 NC

1"

1200 - 3600 r/min

Ø125

1~230 V



Motor	$P_{2N}$ [kW]	$I_{in,Max}$ [A] ( 1x230V)	[kg]	H [mm]
KH-871 N12	1,1	15,0	23	525