

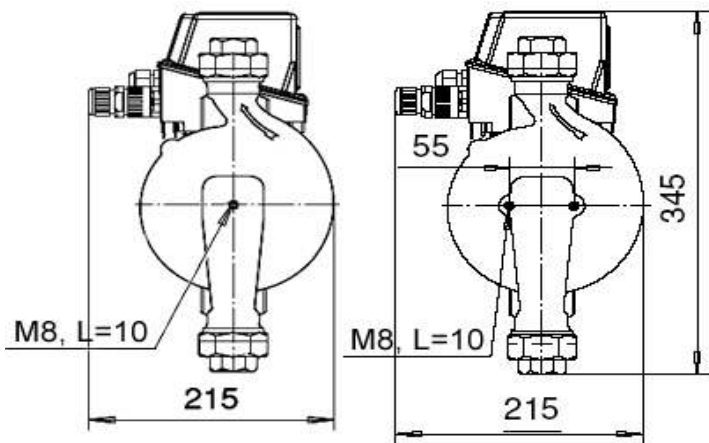
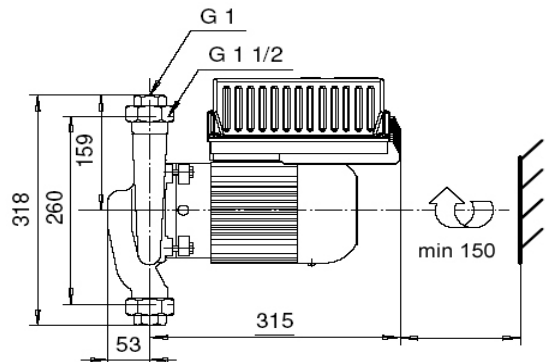
G 1

1200 - 3000 r/min

Ø 125 mm

1~ 230 V

AE\_-26/2



AE-26/2

AEP-26/2

Motor	$P_{2N}$ [kW]	$I_N$ [A] (1x230V)	[kg]
KHSC-841 N12	0,65	6,0	19

