

AE-33/2 NC

AEP-33/2 NC

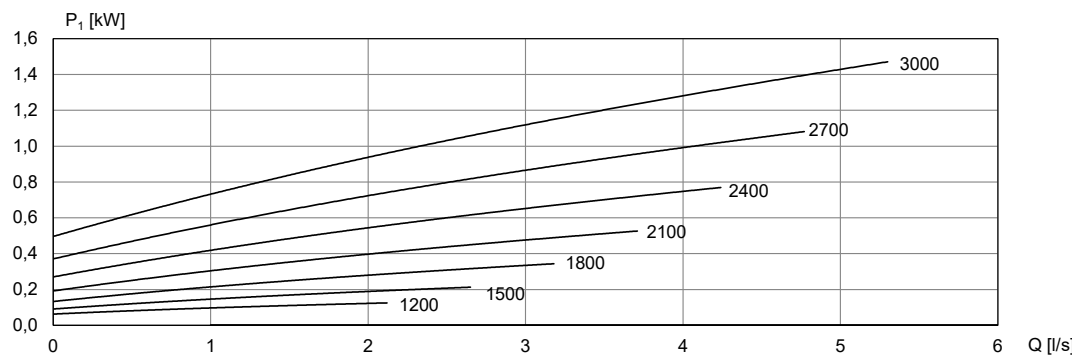
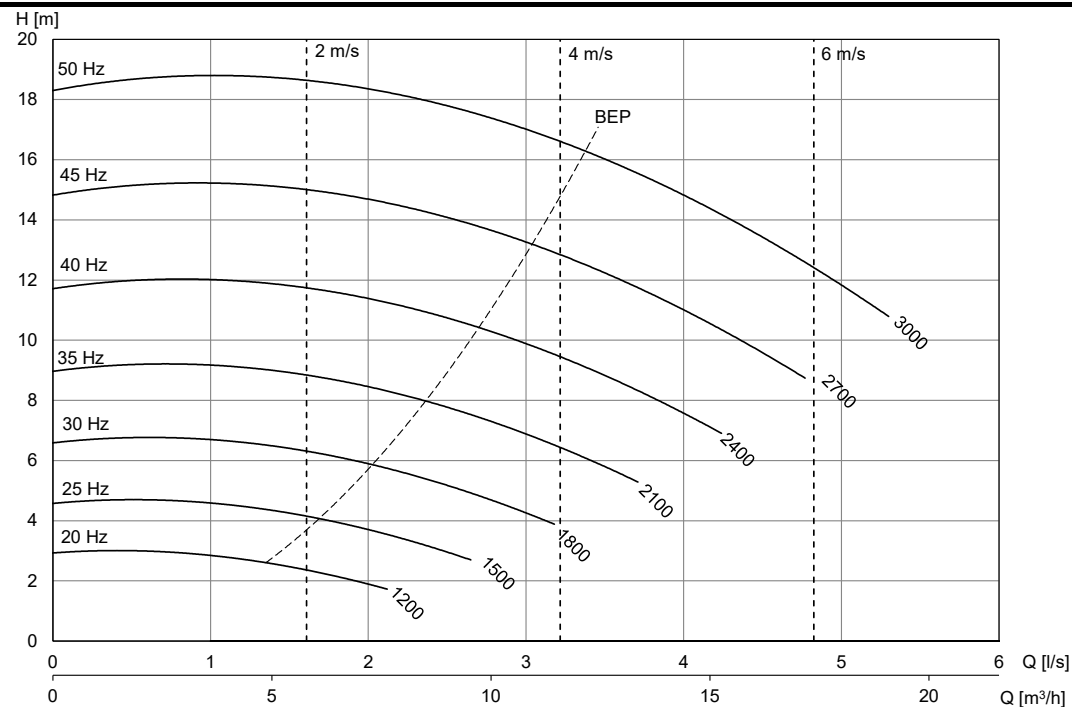
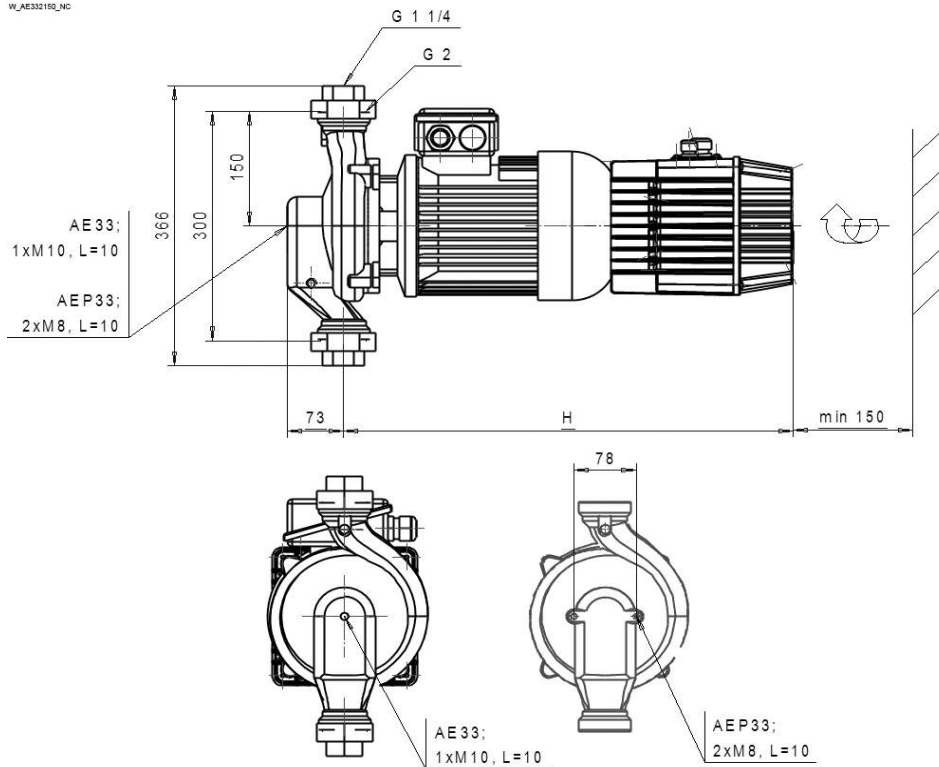
1"1/4

1200 - 3000 r/min

Ø120

1~230 V

W_AE332192_NC



Motor	P _{2N} [kW]	I _{in,Max} [A] (1x230V)	[kg]	H [mm]
KH-871 N13	1,1	15,0	31	525