

AE-33/2 VS

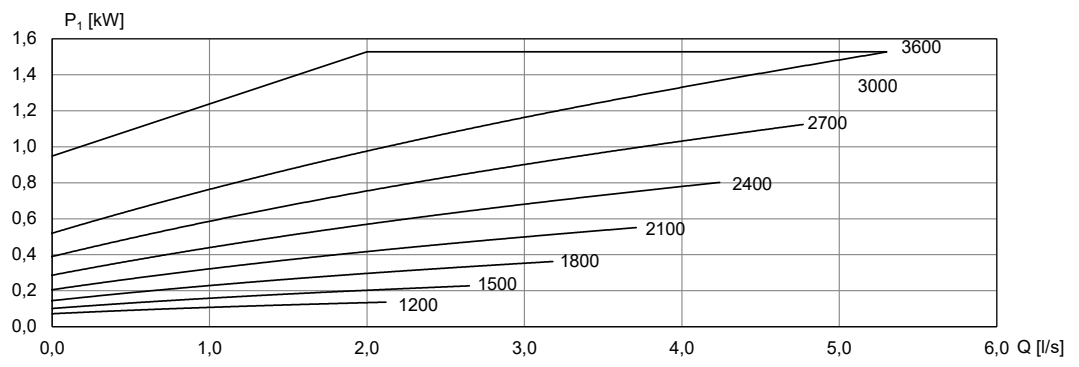
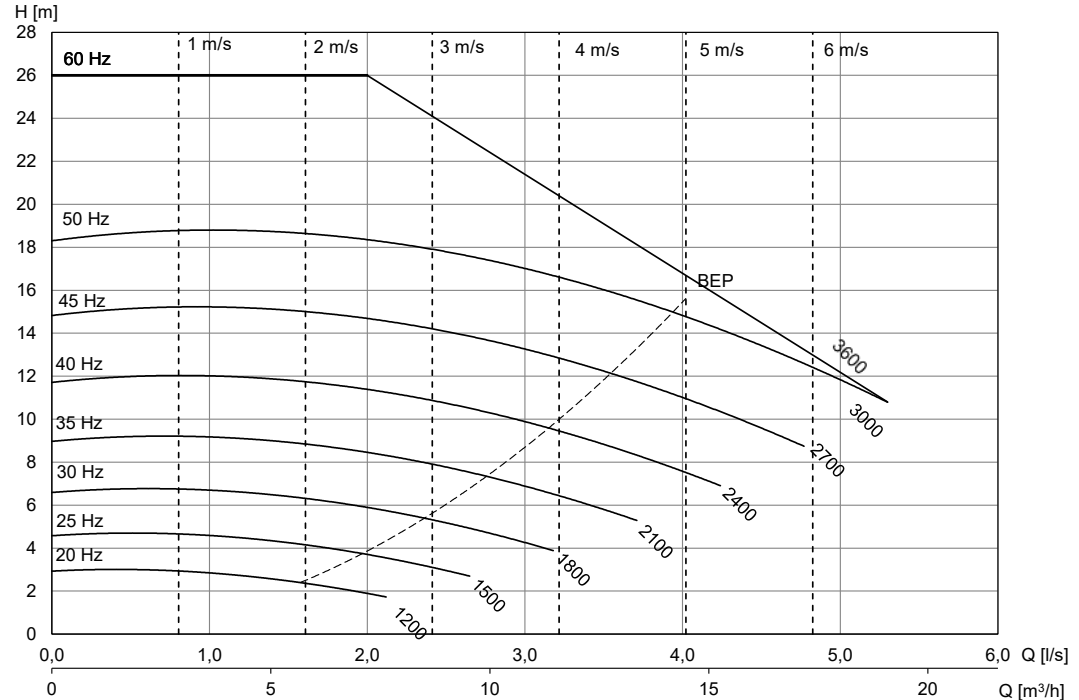
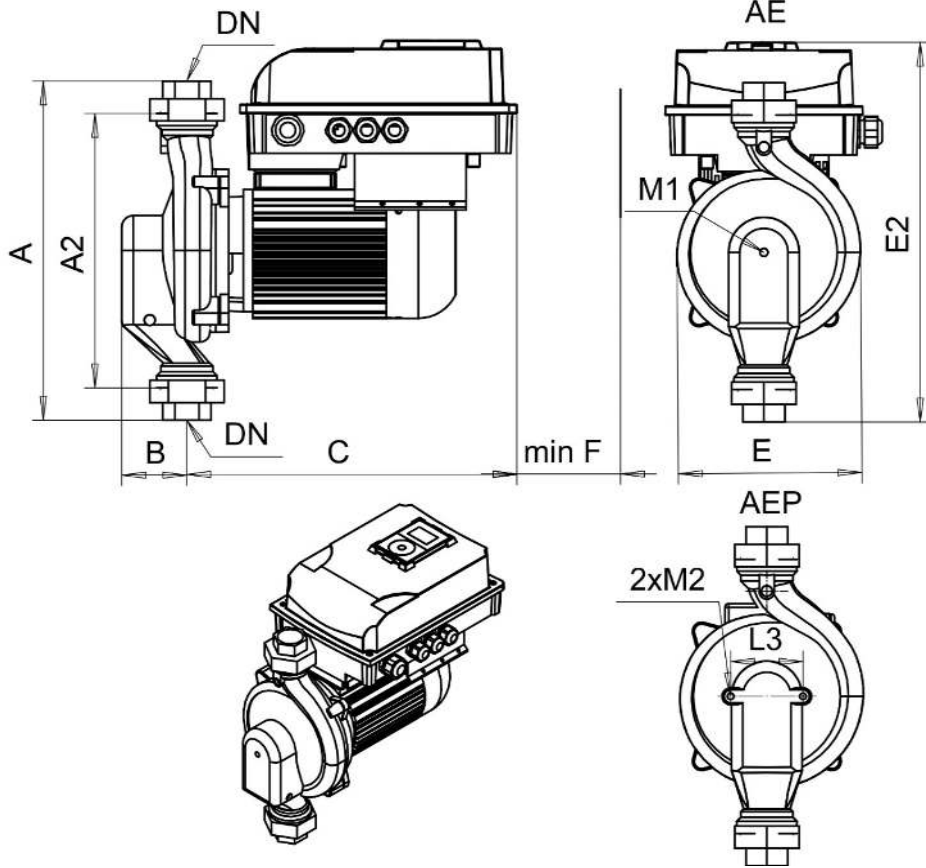
AEP-33/2 VS

G 1 1/4

1200 - 3600 r/min

Ø120

3~ 400 V



[mm]								
A	A2	B	C	minF	E	E2	L3	
366	300	73	390	150	200	440	78	

Motor	$P_{2N}$ [kW]	$I_N$ [A] (3x400V)	[kg]
KPVS-80-1 N13	1,1	4,0	28