

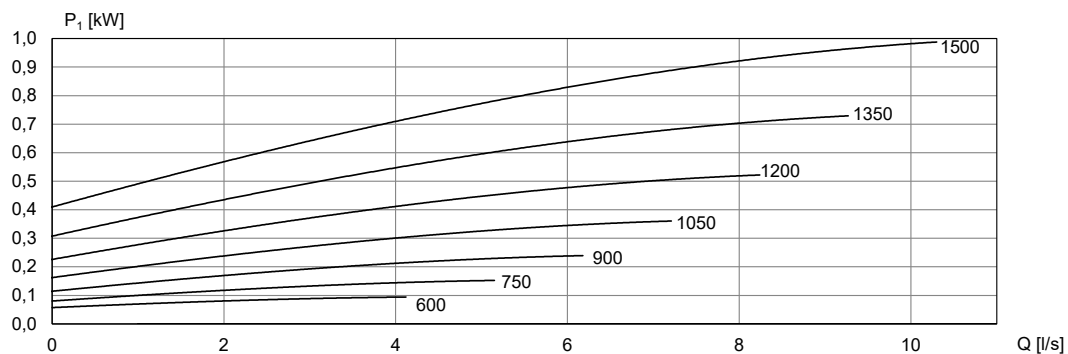
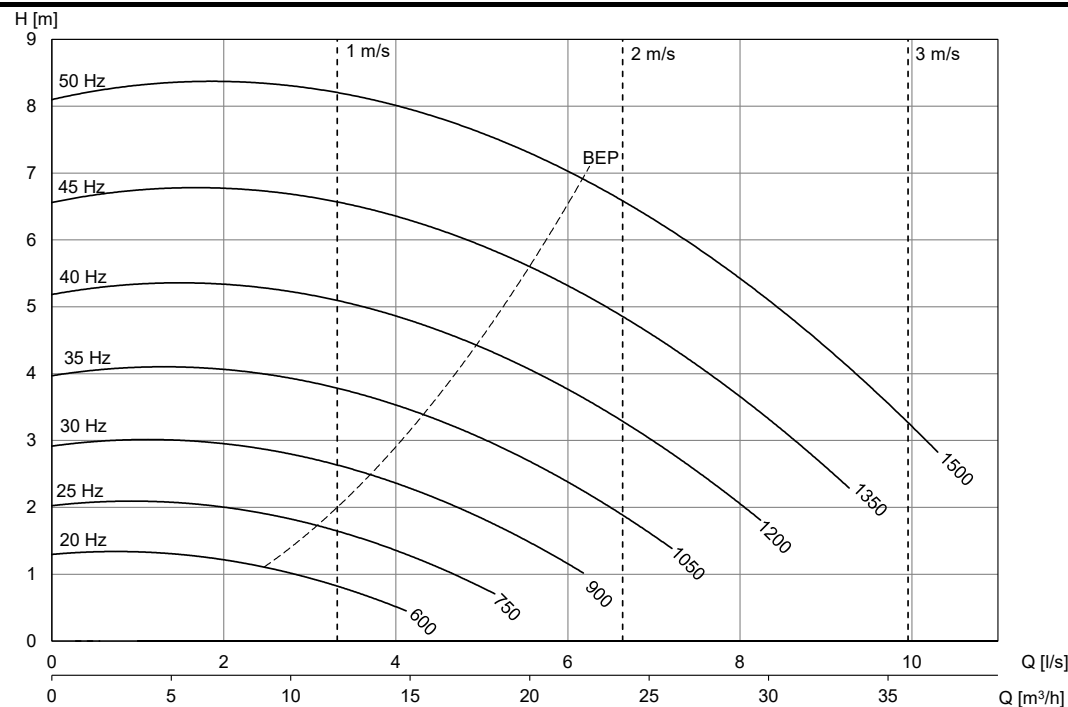
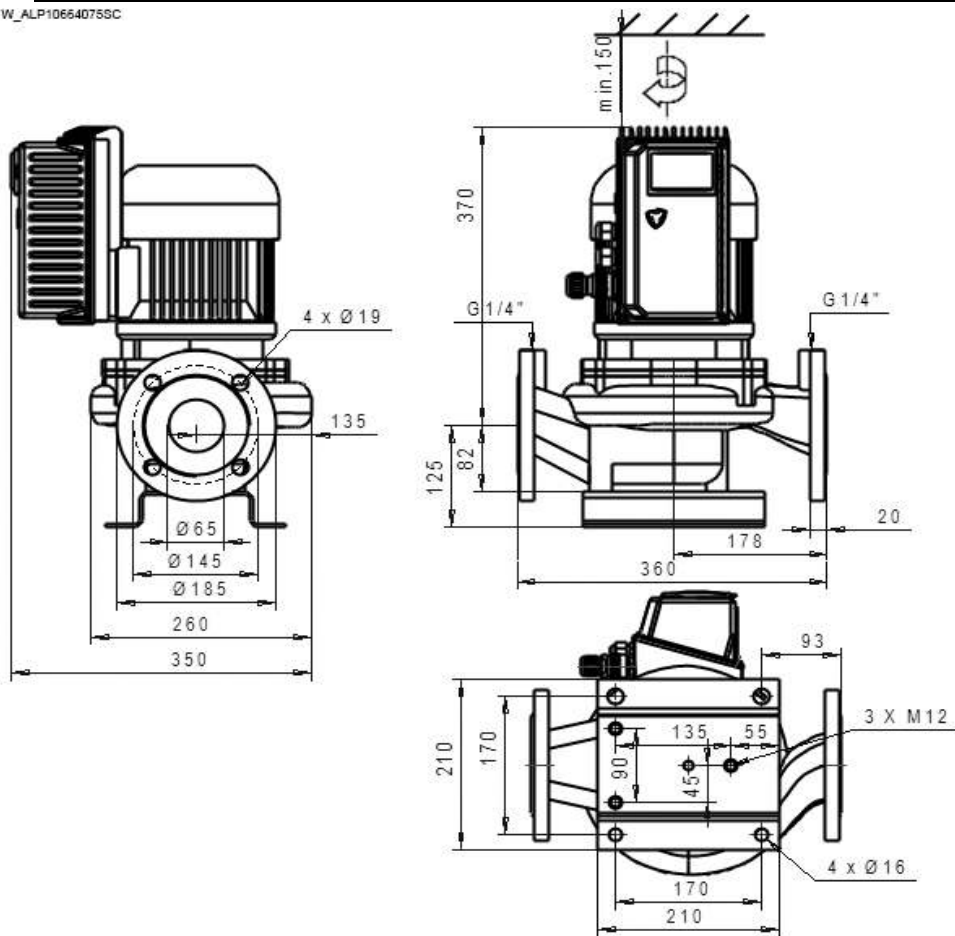
DN65

600 - 1500 r/min

Ø160

1~ 230 V

W\_ALP10664075SC



Motor	$P_{2N}$ [kW]	$I_N$ [A] (3x400V)	[kg]
KHSC-100 B2 F19	0,75	6,1	46