

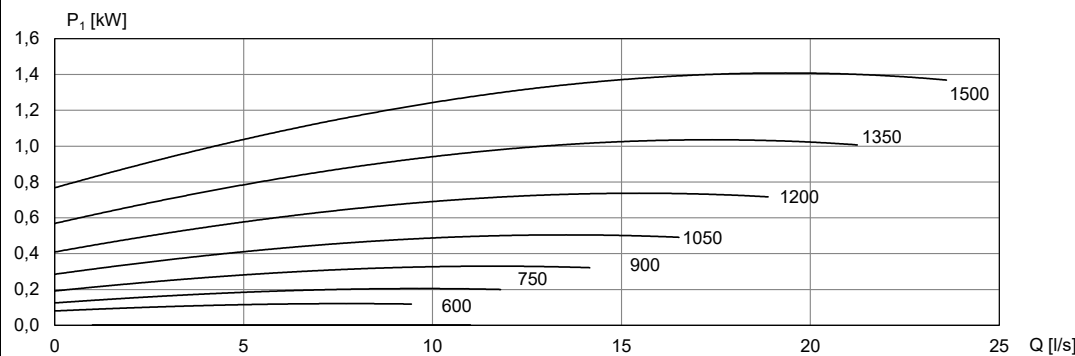
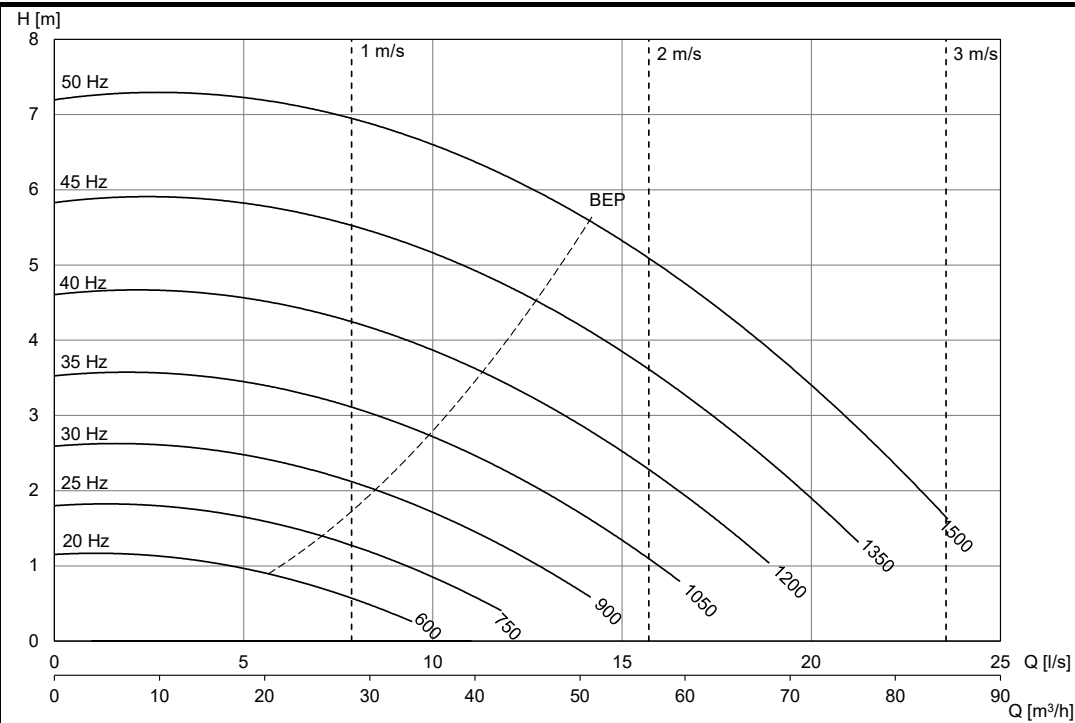
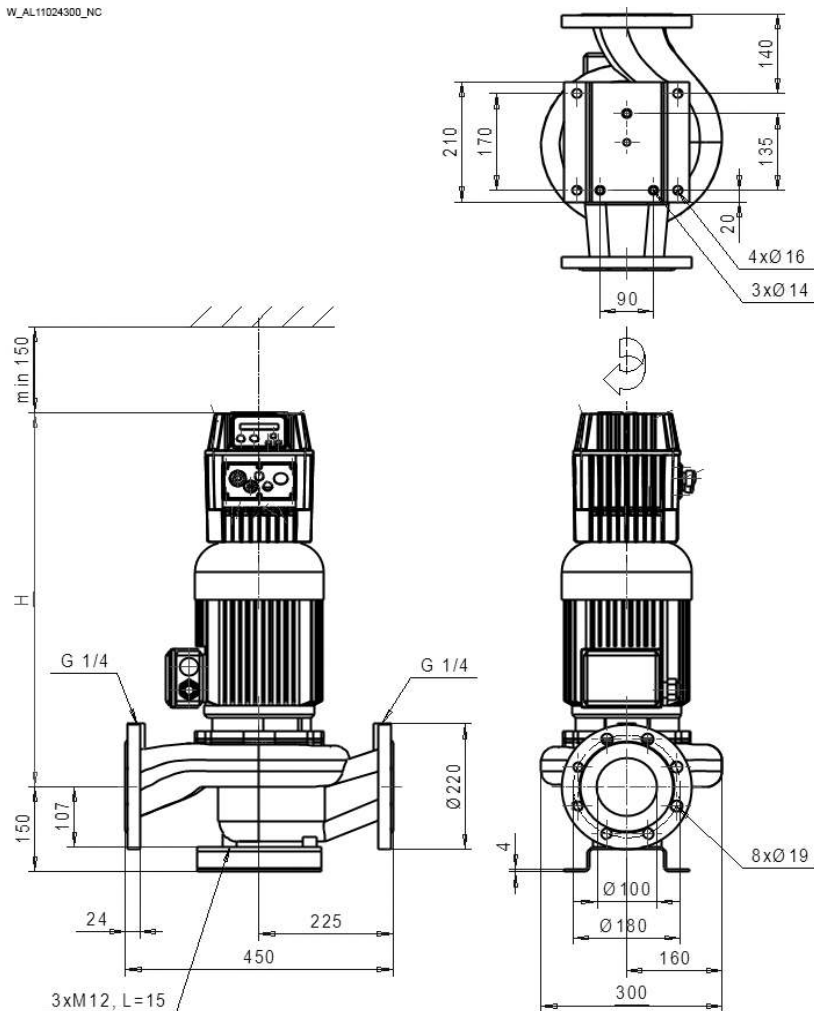
DN100

600 - 1500 r/min

Ø160

1~230 V

W_AL11024300_NC



Motor	P_{2N} [kW]	$I_{in,Max}$ [A] (1x230V)	[kg]	H [mm]
KH-101 C2 F19	1,1	15,0	68	615