

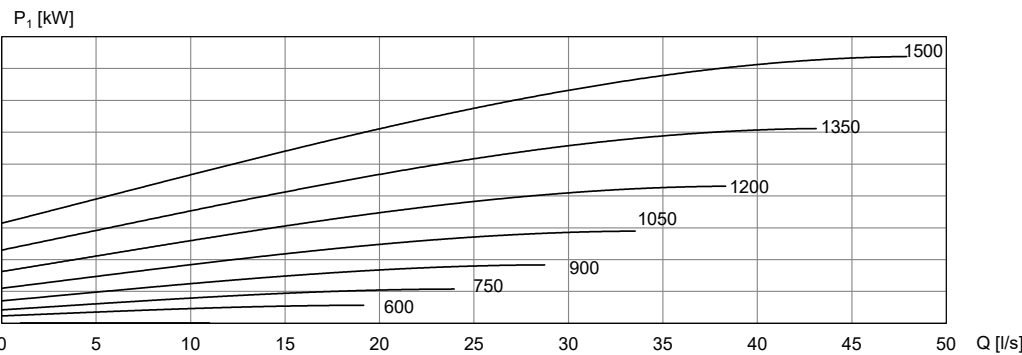
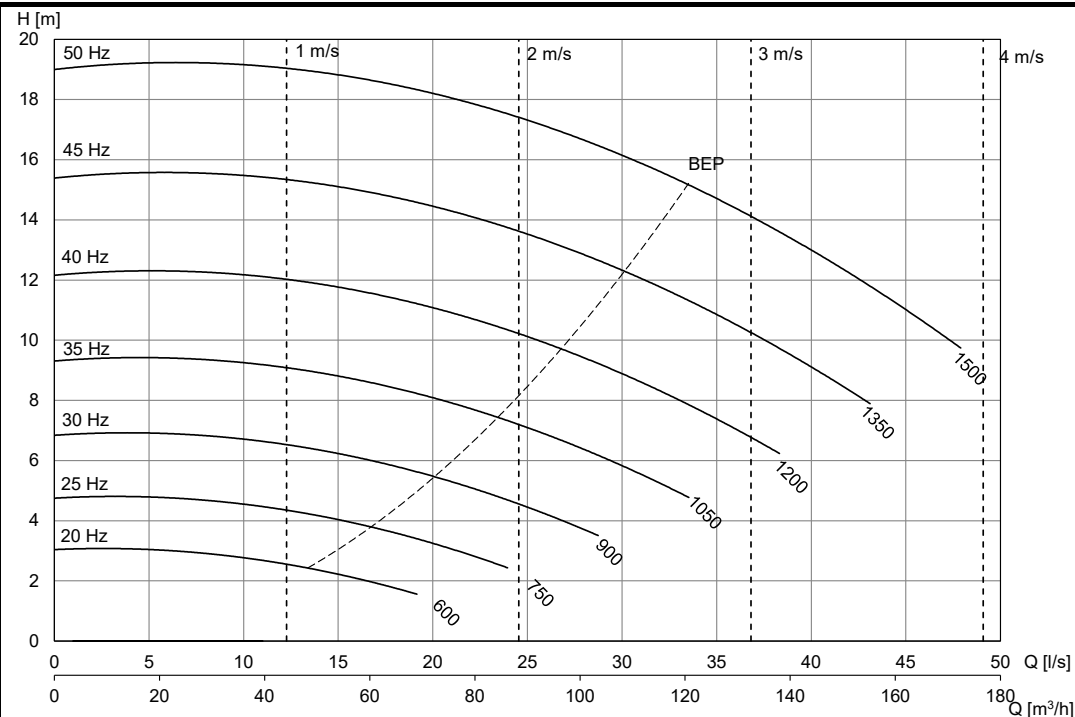
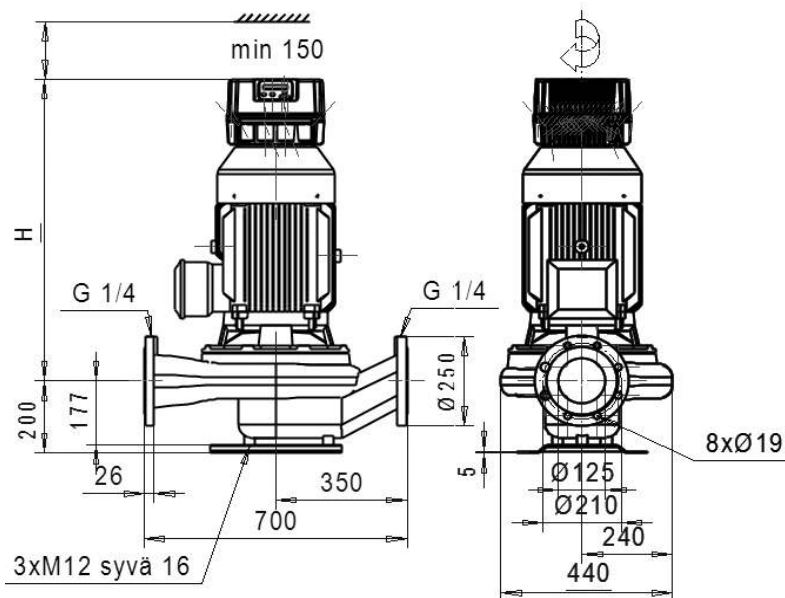
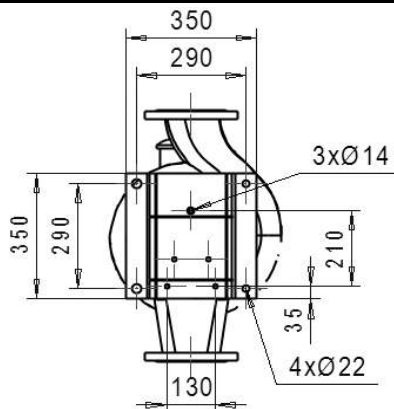
DN125

600 - 1500 r/min

Ø242

3~400 V

W_AL11294150_1_NC



Motor	P_{2N} [kW]	$I_{in,Max}$ [A] (3x400V)	[kg]	H [mm]
KP-134 H2 F31	7,5	21,0	217	730