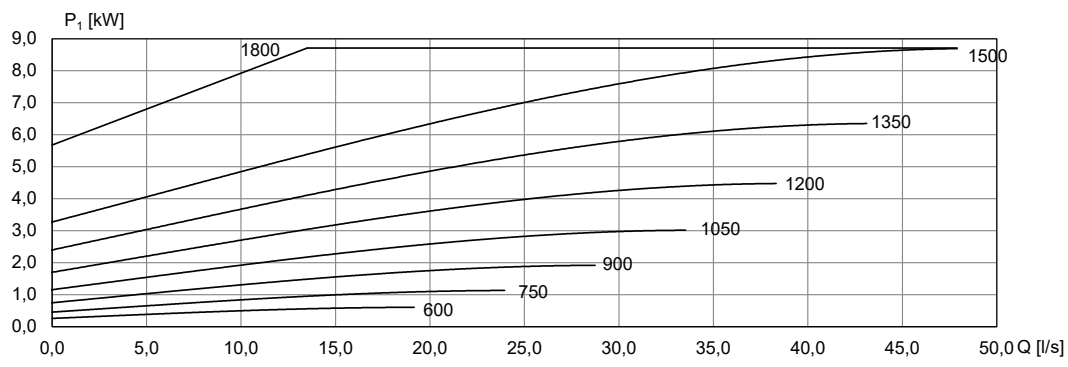
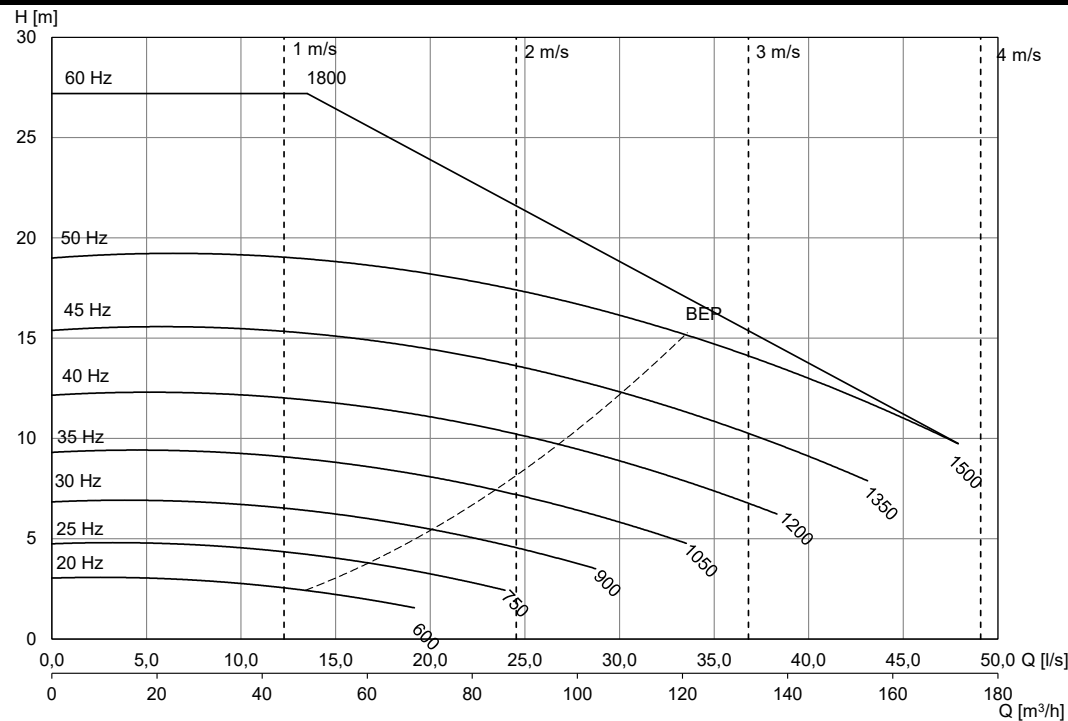
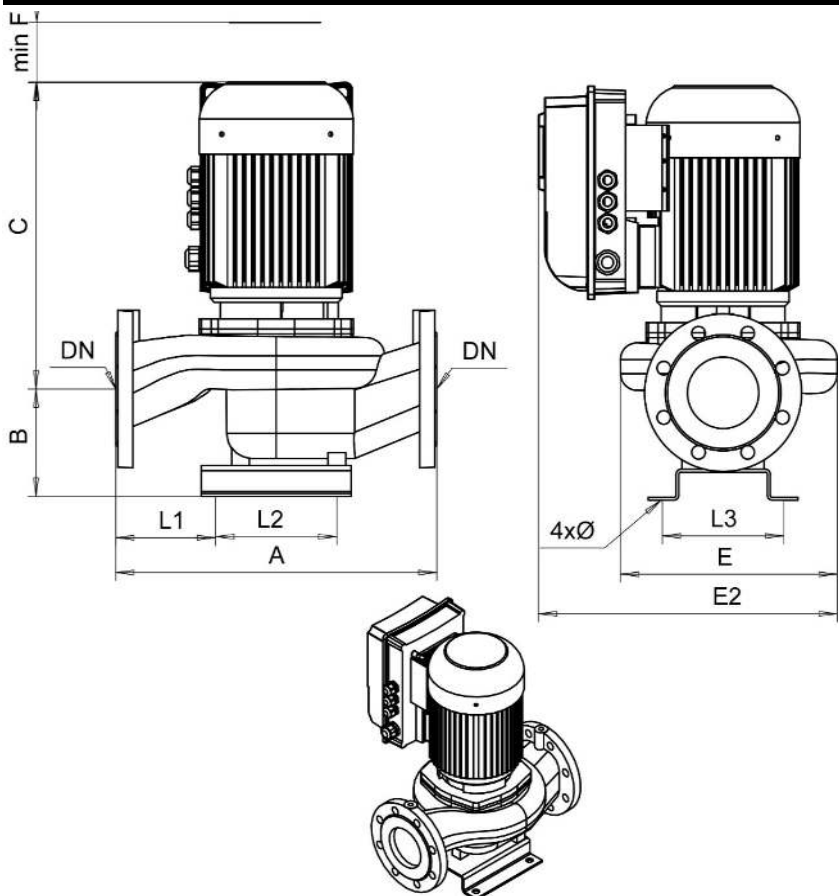


DN125 600 - 1800 r/min Ø242 3~ 400 V



[mm]									
A	B	C	minF	E	E2	L1	L2	L3	Ø
700	200	610	250	456	560	205	290	290	22
Motor			P_{2N} [kW]	I_N [A] (3x400V)		[kg]			
KPVs-134 H2 F31			7,5	20,0		226			