

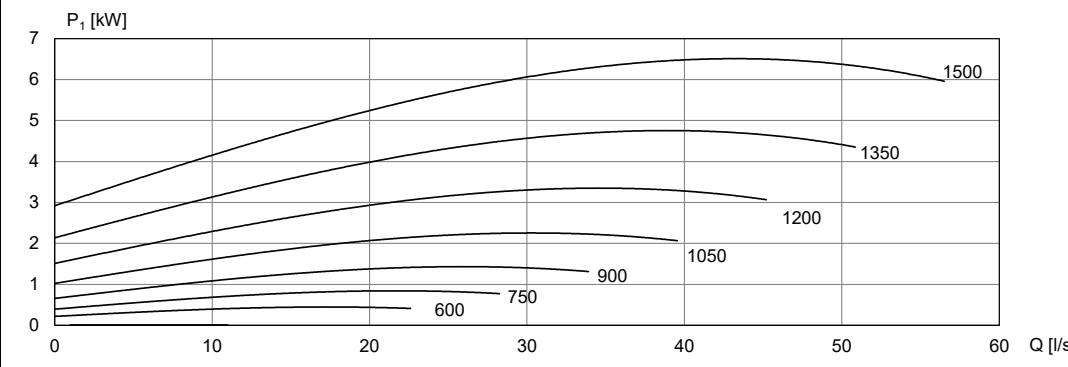
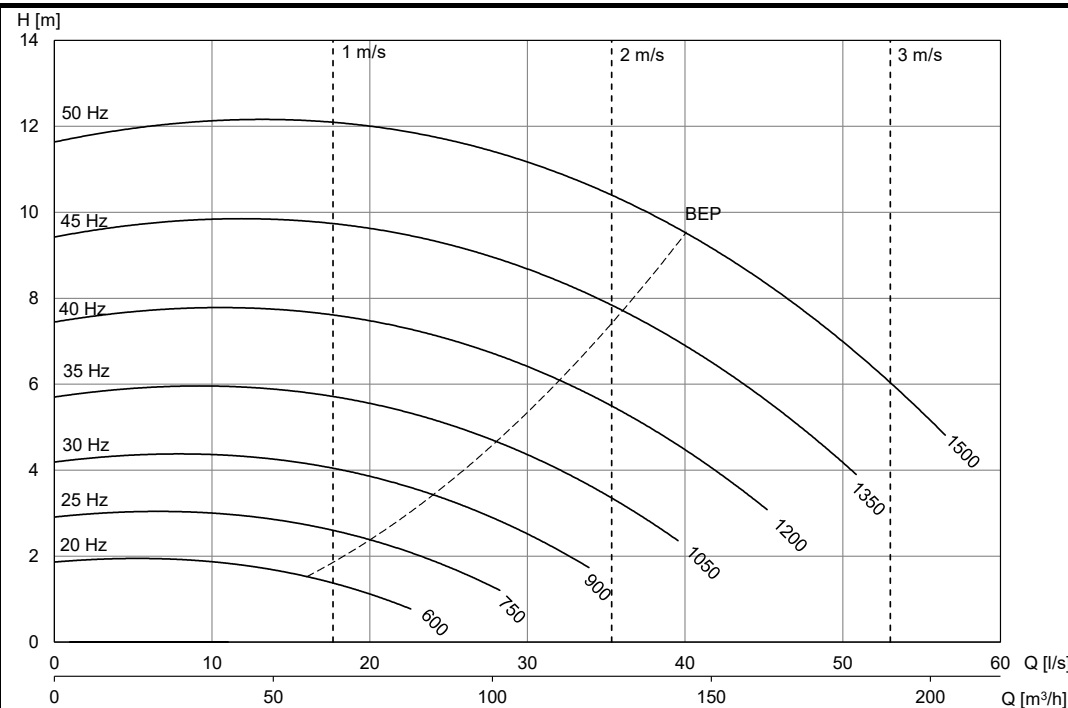
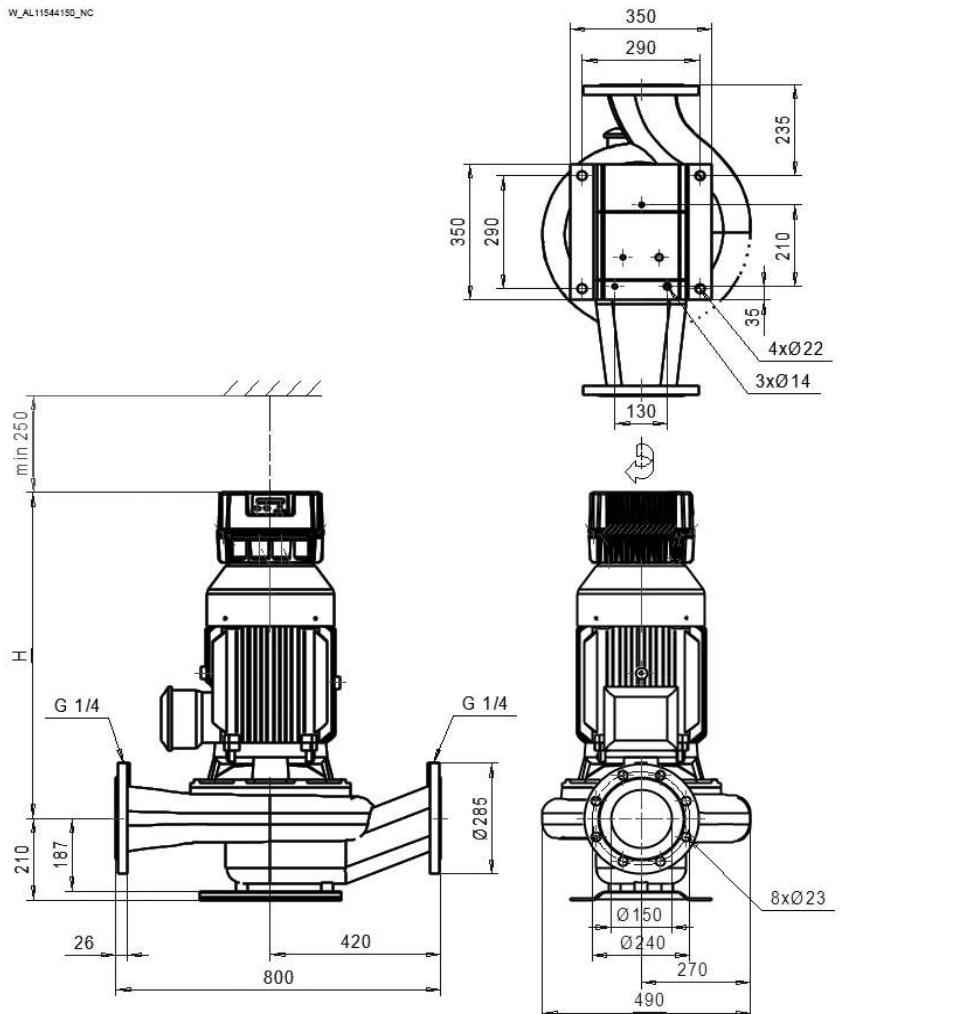
DN150

600 - 1500 r/min

Ø222

3~400 V

W_AL11544150_NC



Motor	P_{2N} [kW]	$I_{in,Max}$ [A] (3x400V)	[kg]	H [mm]
KH-132 E2 F31	5,5	16,0	193	680