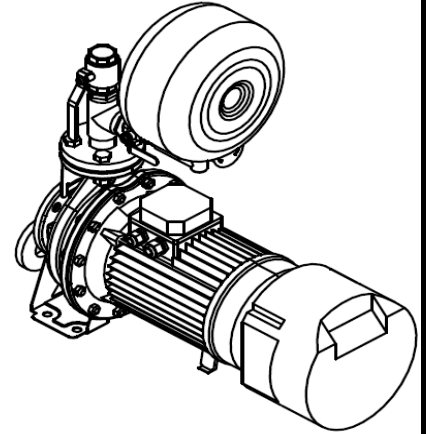
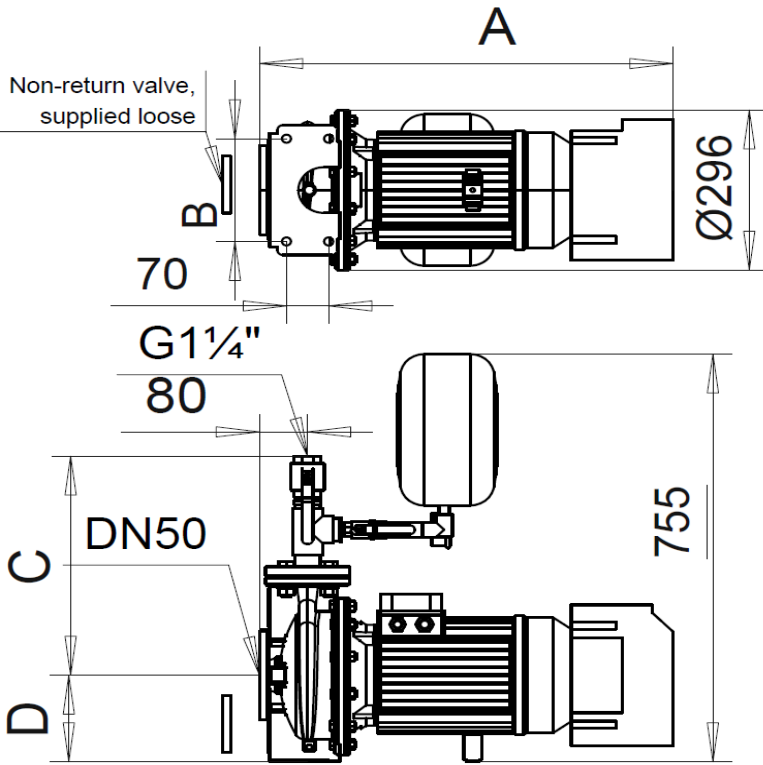


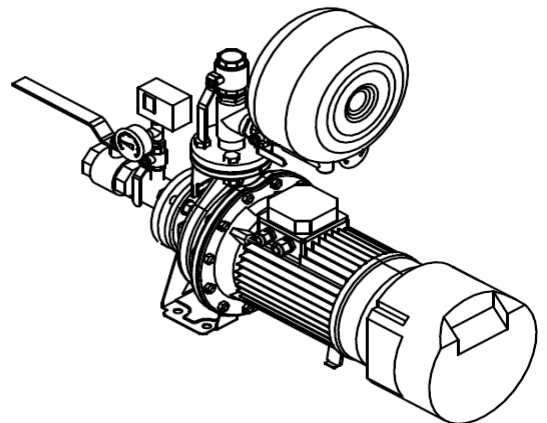
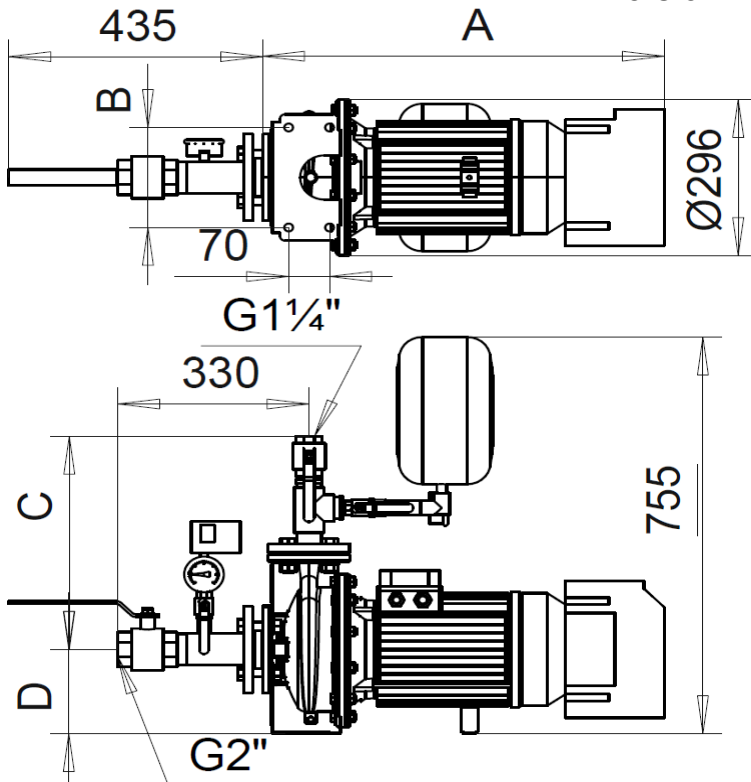
DN50/G2" - G1¼"

PN10

Version A = Standard



Version B



Free space 250 - 300 mm required end of the pump

Type	PN	P _{2,N} [kW]	1x230V I [A]	[kg]	A [mm]	B [mm]	C [mm]	D [mm]
BM1-KM-32-160/2 NC Ø151	10	1,5	12,8	30	580	190	385	132

Type	PN	P _{2,N} [kW]	3x400V I [A]	[kg]	A [mm]	B [mm]	C [mm]	D [mm]
BM1-KM-32-160/2 NC Ø166	10	2,2	6,0	35	580	190	385	132
BM1-KM-32-200/2 NC Ø186	10	3	7,7	45	605	190	405	160
BM1-KM-32-200/2 NC Ø200	10	4	9,5	50	625	190	405	160
BM1-KM-32-200/2 NC Ø224	10	5,5	12,6	60	645	190	405	160

