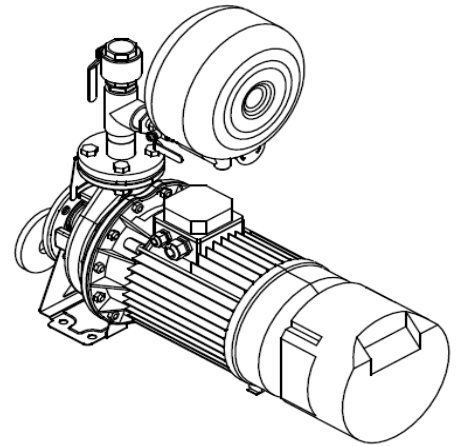
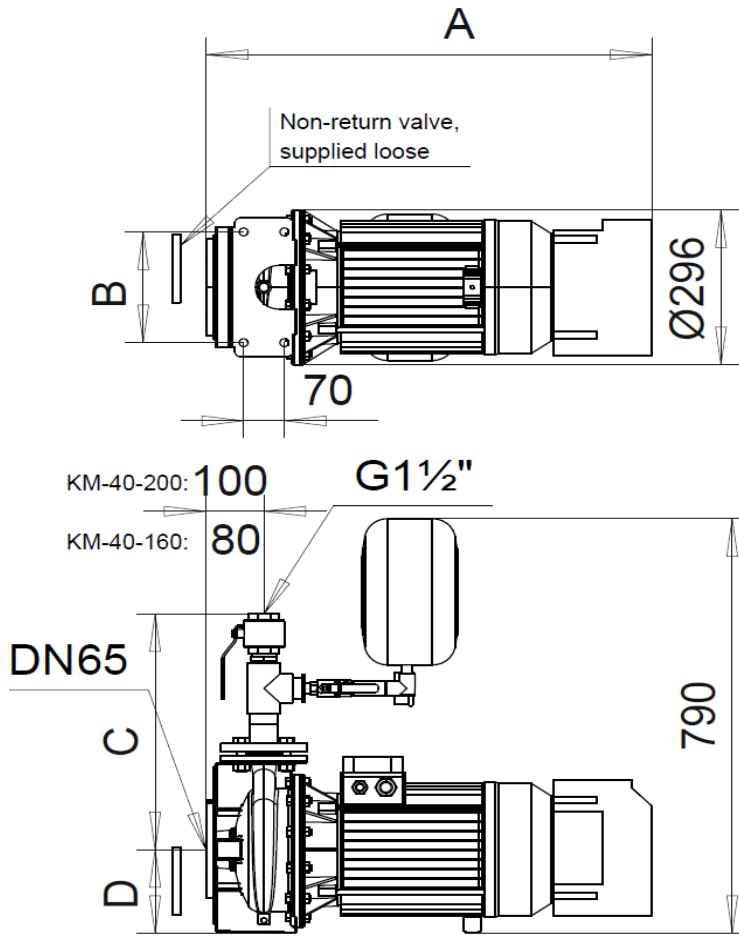


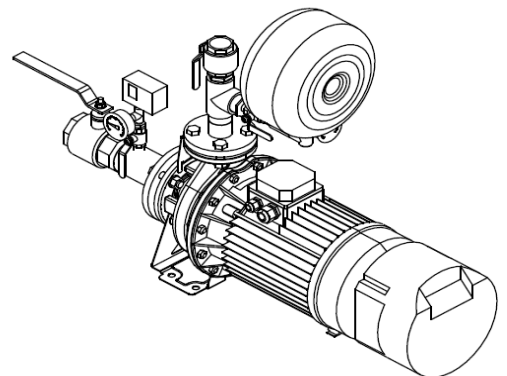
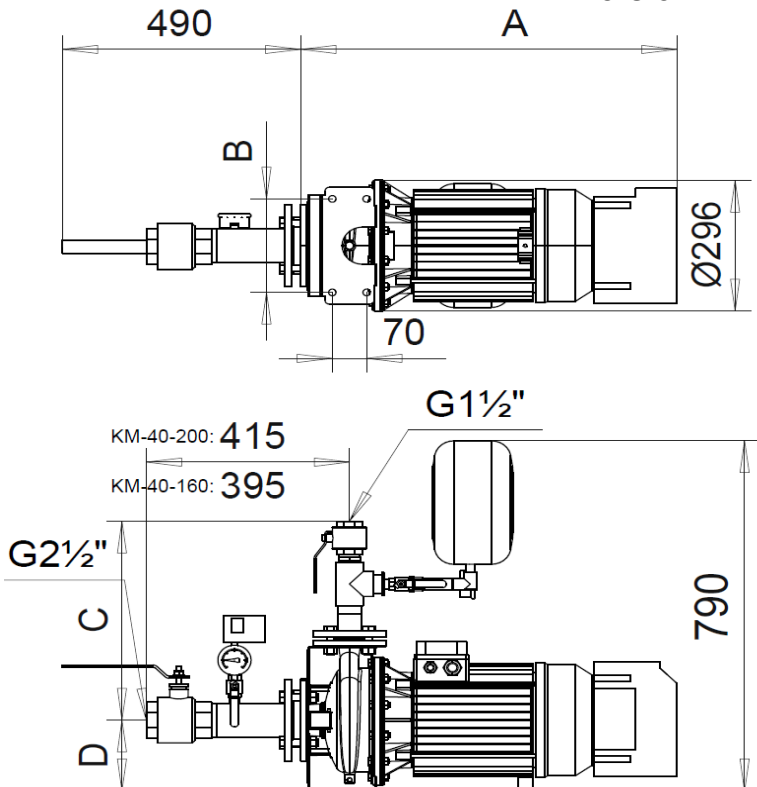
DN65/G2½" - G1½"

PN10

Version A = Standard



Version B



Free space 250 - 300 mm required end of the pump

Type	PN	P _{2,N} [kW]	3x400V I [A]	[kg]	A [mm]	B [mm]	C [mm]	D [mm]
BM1-KM-40-160/2 NC Ø151	10	3,0	7,7	40	605	190	435	132
BM1-KM-40-160/2 NC Ø166	10	4,0	9,5	45	625	190	435	132
BM1-KM-40-200/2 NC Ø186	10	5,5	12,6	60	665	212	455	160
BM1-KM-40-200/2 NC Ø200	10	7,5	15,8	70	710	212	455	160
BM1-KM-40-200/2 NC Ø224	10	11,0	23,2	80	765	212	455	160

