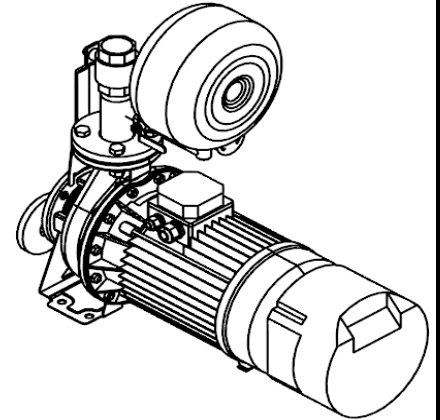
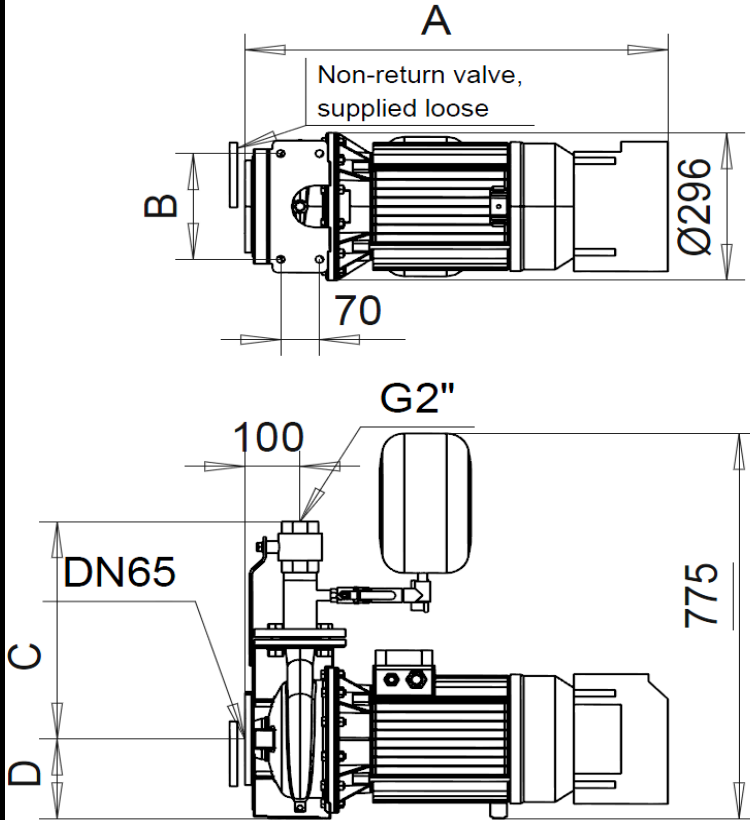


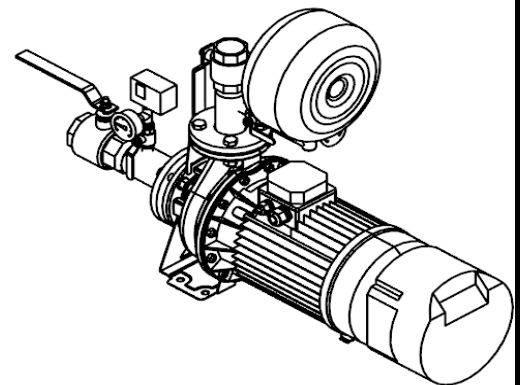
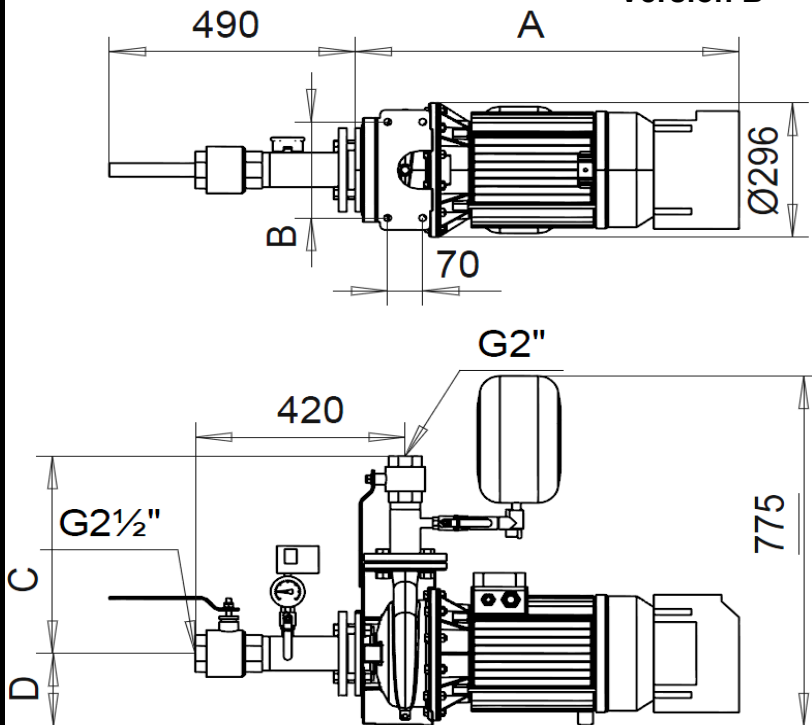
DN65/G2½" - G2"

PN10

Version A = Standard



Version B



Free space 250 - 300 mm required end of the pump

Type	PN	P <sub>2,N</sub> [kW]	3x400V I [A]	[kg]	A [mm]	B [mm]	C [mm]	D [mm]
BM1-KM-50-160/2 NC Ø154	10	5,5	12,6	60	665	212	420	160
BM1-KM-50-160/2 NC Ø166	10	7,5	15,8	65	710	212	420	160
BM1-KM-50-200/2 NC Ø191	10	11,0	23,2	70	765	212	440	160
BM1-KM-50-200/2 NC Ø200	10	15,0	31,6	75	800	212	440	160

