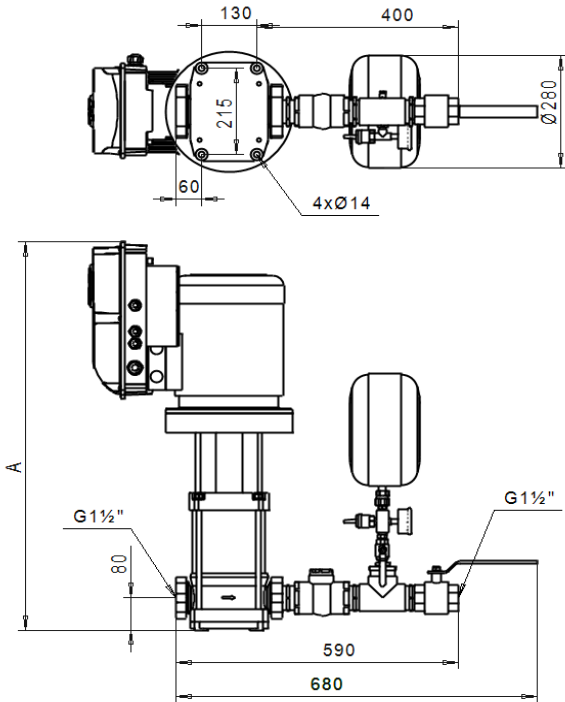


G1½"

PN10-16

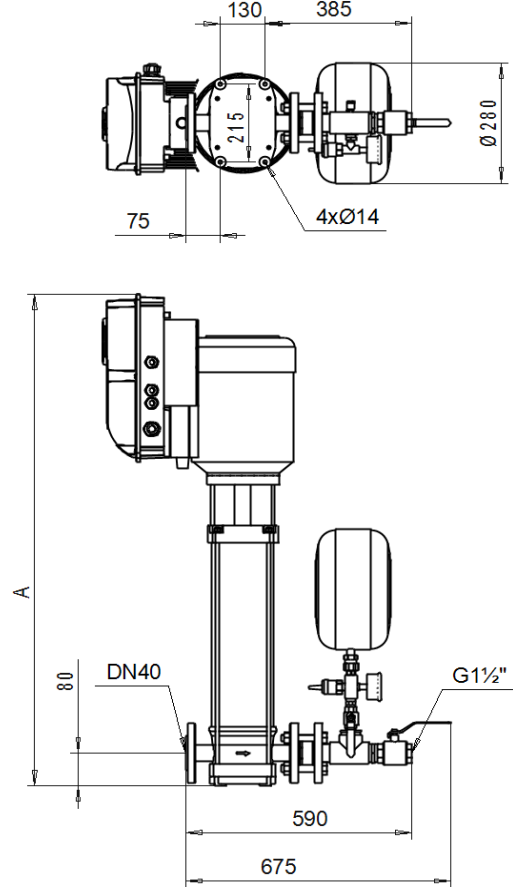
Version A = Standard



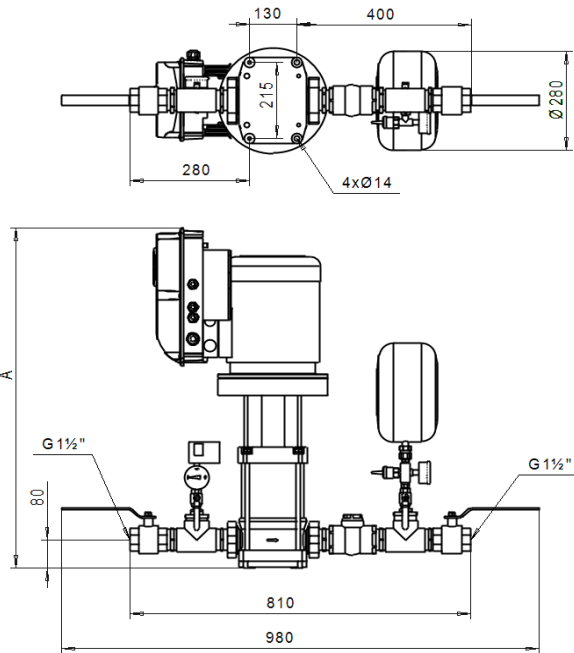
DN40 / G1½"

PN25

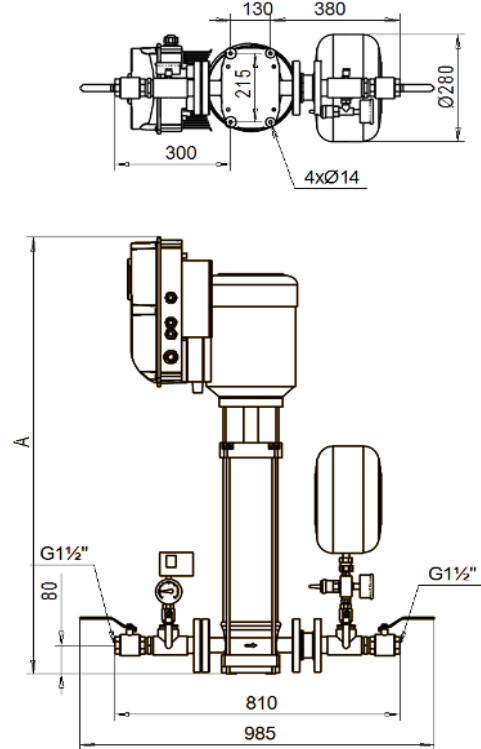
Version A = Standard



Version B



Version B



Free space 250 - 300 mm required on the top of the pump

Type	PN [bar]	P <sub>2,N</sub> [kW]	3x400V I [A]	[kg]	A [mm]
BM1 -MVV 10/3B VS	10	1,1	4,0	60	770
BM1 -MVV 10/4B VS	10	1,5	4,0	60	850
BM1 -MVV 10/6B VS	10	2,2	7,3	70	920
BM1 -MVV 10/8B VS	16	3	9,6	80	1 025
BM1 -MVV 10/11B VS	16	4	11,5	80	1 115
BM1 -MVVF 10/15B VS	25	5,5	14,2	130	1 325
BM1 -MVVF 10/21B VS	25	7,5	20,0	140	1 485

