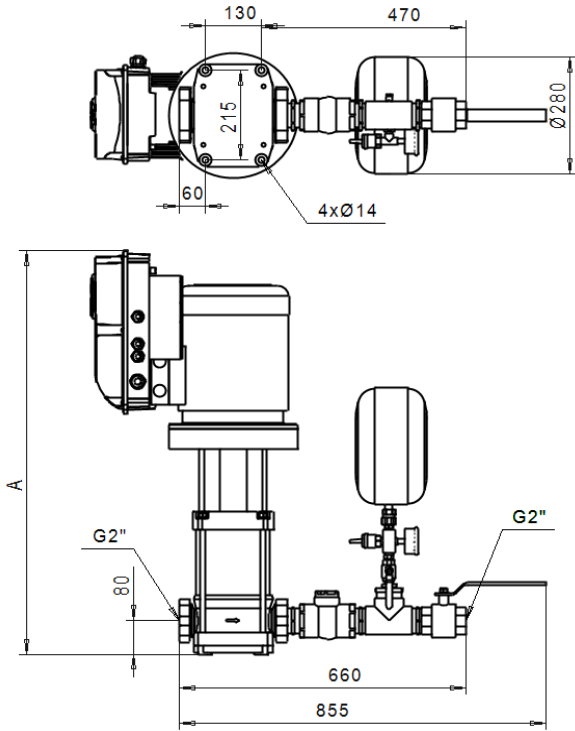


G2"

PN10-16

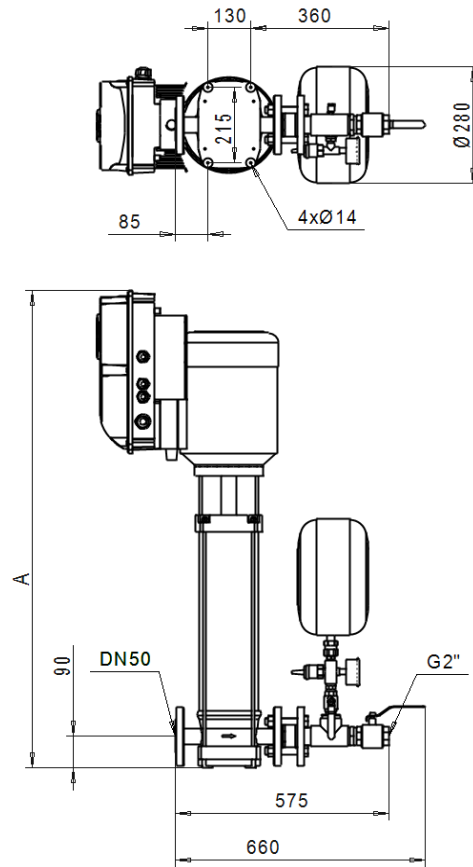
Version A = Standard



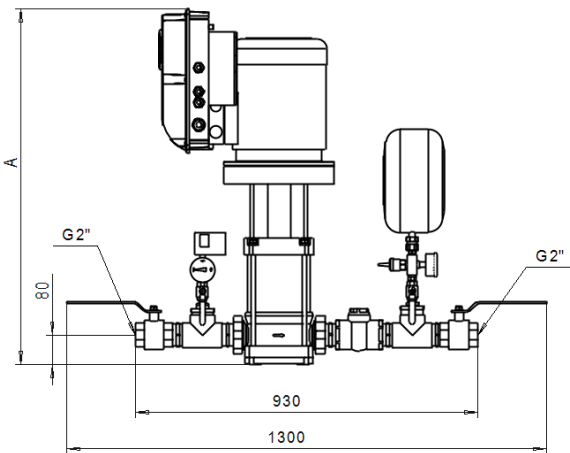
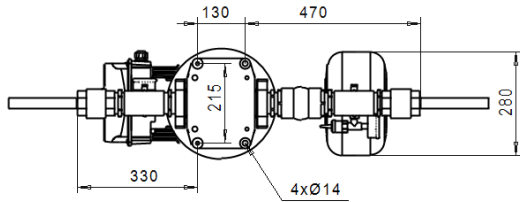
DN50 / G2"

PN25

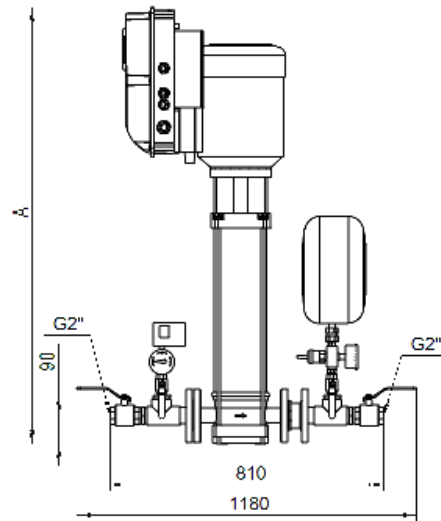
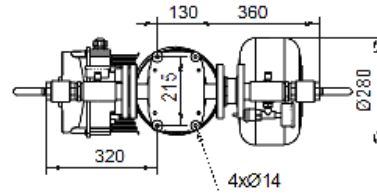
Version A = Standard



Version B



Version B



Free space 250 - 300 mm required on the top of the pump

Type	PN [bar]	P _{2,N} [kW]	3x400V I [A]	[kg]	A [mm]
BM1 -MVV 15/2B VS	10	2,2	7,3	60	825
BM1 -MVV 15/3B VS	10	3	9,6	70	905
BM1 -MVV 15/4B VS	10	4	11,5	80	940
BM1 -MVV 15/6B VS	16	5,5	14,2	120	1 100
BM1 -MVV 15/8B VS	16	7,5	20,0	130	1 150
BM1 -MVVF 15/11B VS	25	11	25,0	210	1 295
BM1 -MVVF 15/17B VS	25	15	33,0	240	1 590

