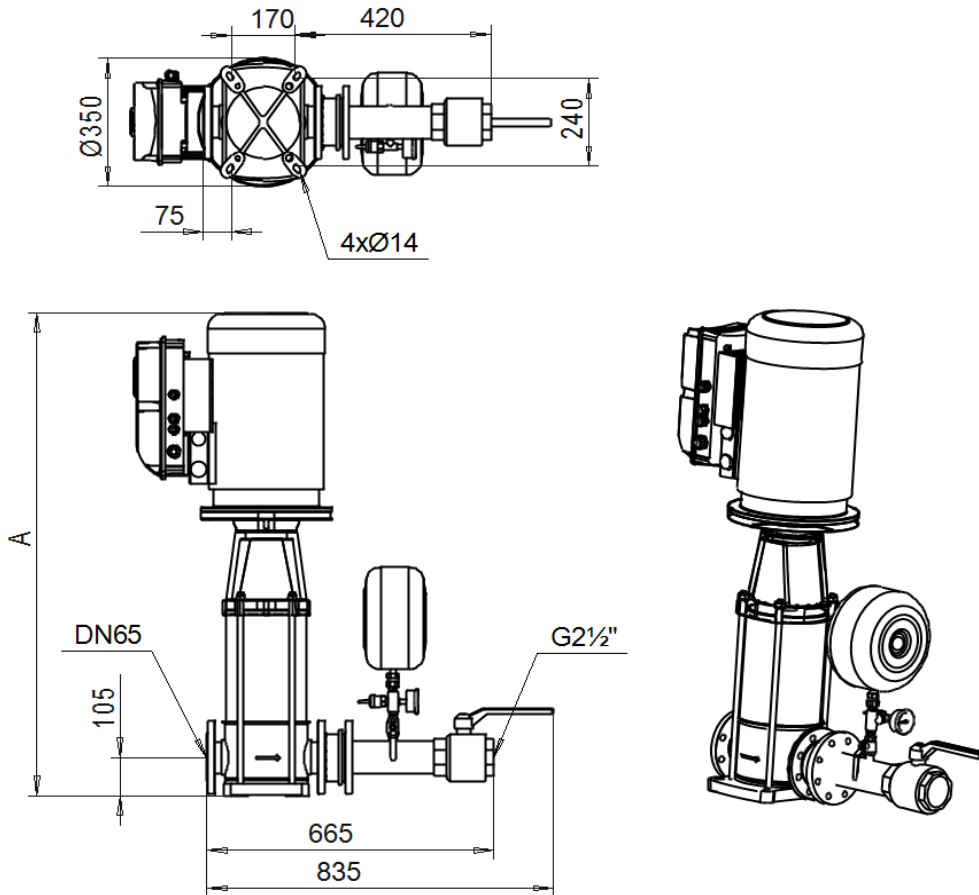


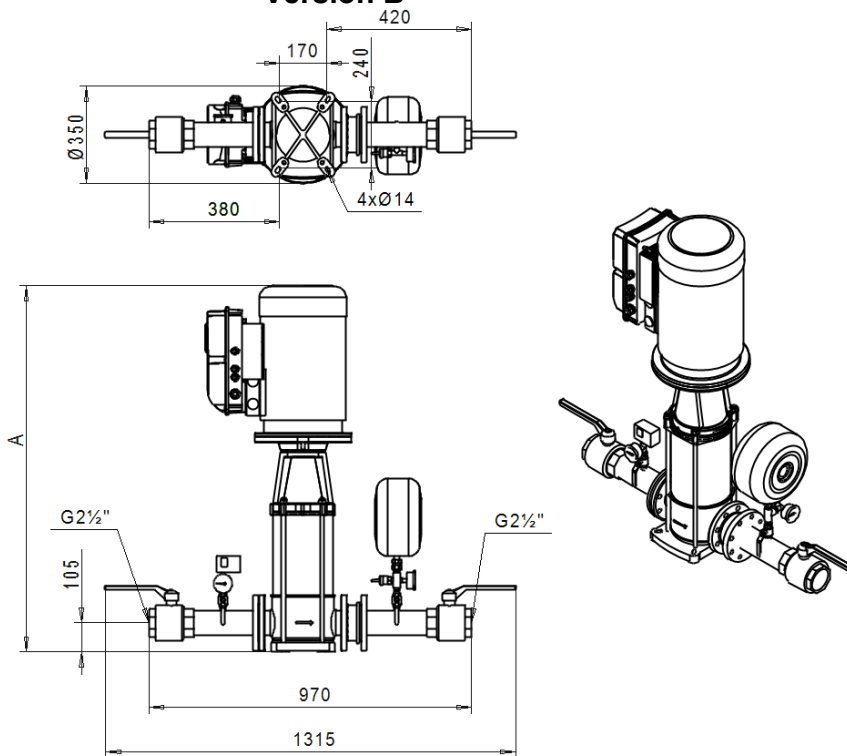
DN65 / G2½"

PN10-25

Version A = Standard



Version B



Free space 250 - 300 mm required on the top of the pump

Type	PN [bar]	P _{2,N} [kW]	3x400V I [A]	[kg]	A [mm]
BM1 MVVF 25/3 VS	10	5,5	14,2	140	1 170
BM1 MVVF 25/4 VS	10	7,5	20,0	150	1 240
BM1 MVVF 25/6 VS	16	11	21,0	240	1 530
BM1 MVVF 25/9 VS	25	15	28,0	270	1 760
BM1 MVVF 25/11 VS	25	18,5	34,0	290	1 925
BM1 MVVF 25/12 VS	25	22	41,0	330	2 040

