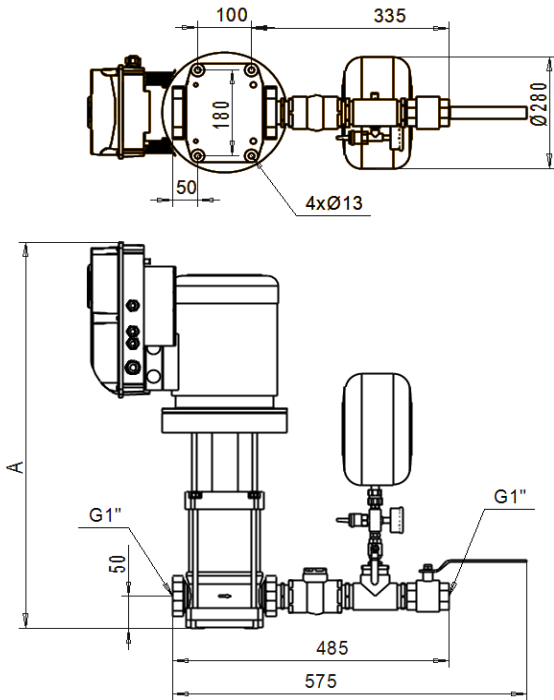


G1"

PN10-16

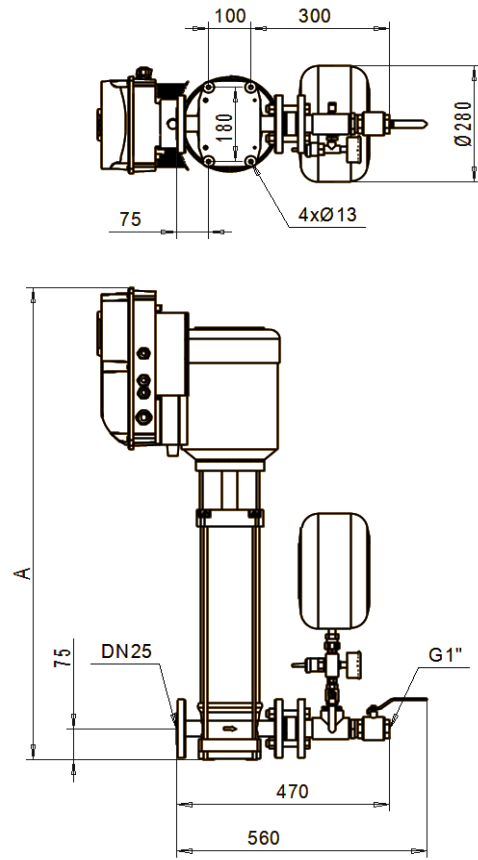
Version A = Standard



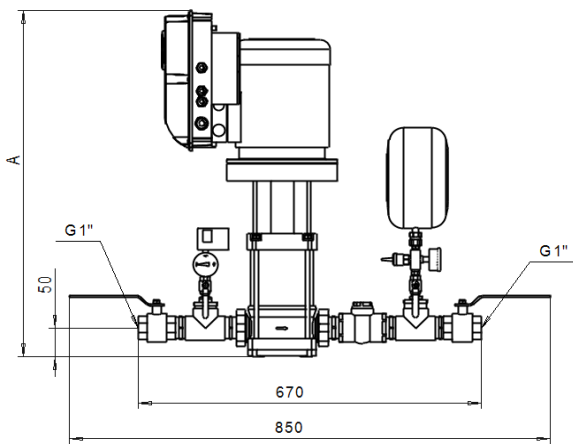
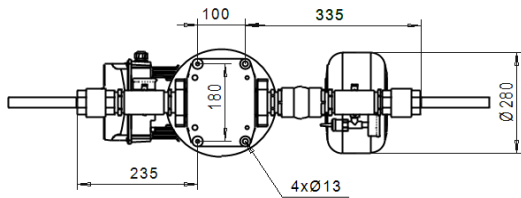
DN25 / G1"

PN25

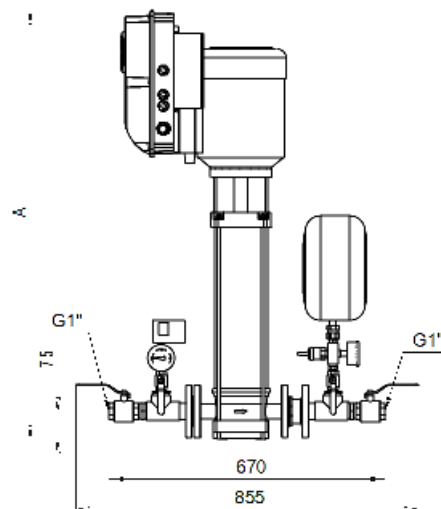
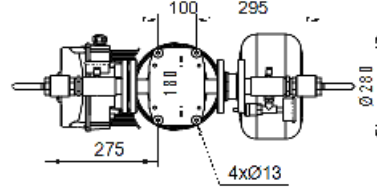
Version A = Standard



Version B



Version B



Free space 250 - 300 mm required on the top of the pump

Type	PN [bar]	P _{2,N} [kW]	3x400V I [A]	[kg]	A [mm]
BM1 -MVV 2/11B VS	16	1,1	4	38	865
BM1 -MVV 2/20B VS	16	1,5	4	50	1065
BM1 -MVVF 2/30B VS	25	2,2	7,3	80	1355

