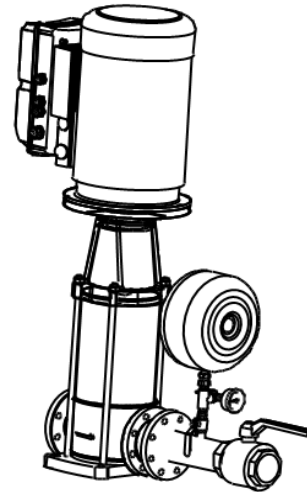
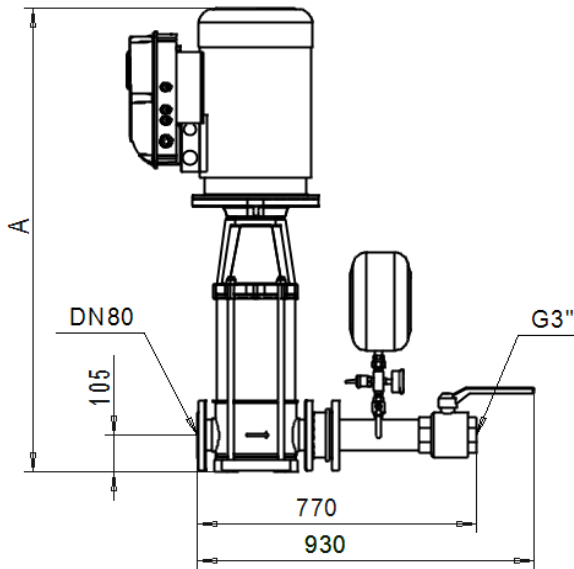
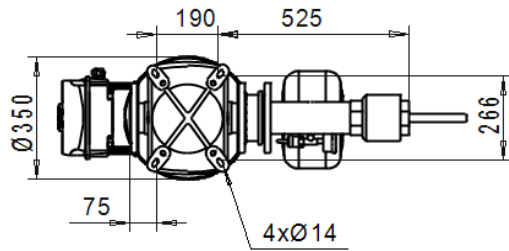


DN80 / G3"

PN10-25

Version A = Standard



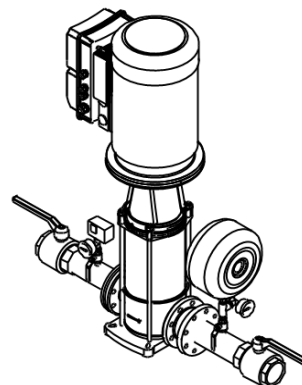
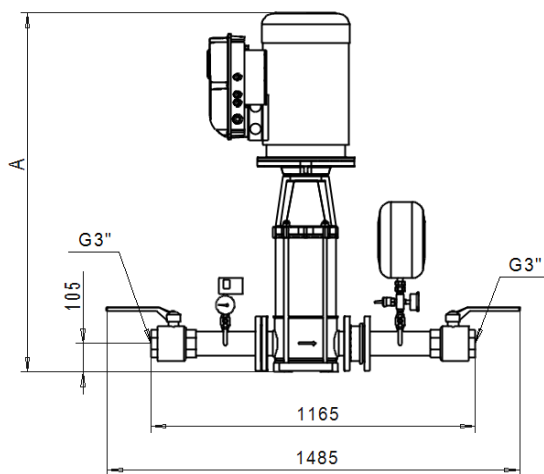
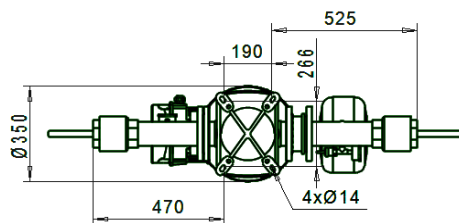
2

1

1

1

Version B



1

Free space 250 - 300 mm required on the top of the pump

| Type | PN [bar] | P _{2,N} [kW] | 3x400V I [A] | [kg] | A [mm] |
|-------------|----------|-----------------------|--------------|------|--------|
| MVVF 40/2-2 | 10 | 5,5 | 14,2 | 120 | 1 030 |
| MVVF 40/2 | 10 | 7,5 | 20,0 | 130 | 1 030 |
| MVVF 40/3 | 16 | 11 | 21,0 | 200 | 1 405 |
| MVVF 40/4 | 16 | 15 | 28,0 | 220 | 1 530 |
| MVVF 40/6-2 | 25 | 18,5 | 34,0 | 240 | 1 530 |
| MVVF 40/7-2 | 25 | 22 | 41,0 | 280 | 1 675 |

