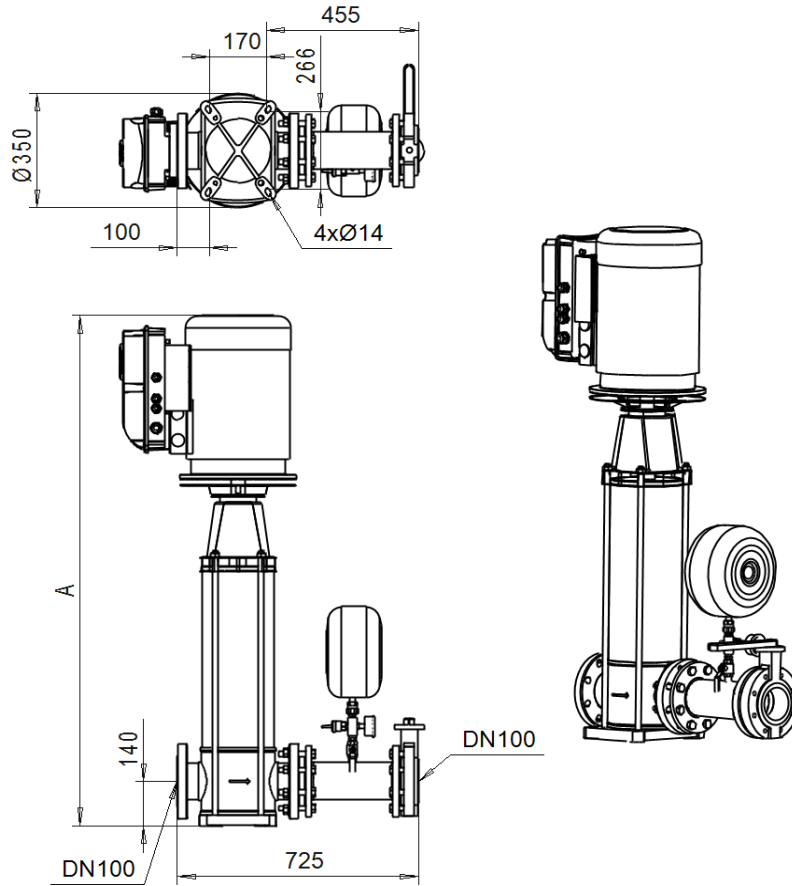


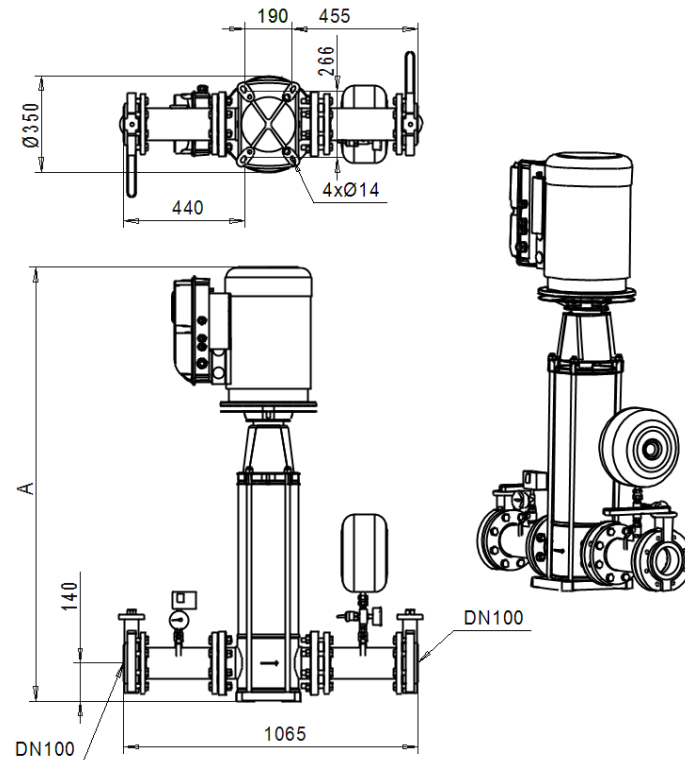
DN100

PN10-25

Version A = Standard



Version B



Free space 250 - 300 mm required on the top of the pump

Type	PN	P _{2,N} [kW]	3x400V I [A]	[kg]	A [mm]
MVVF60/1	10	5,5	14,2	130	1 180
MVVF60/2	10	11	21,0	210	1 560
MVVF60/3-2	16	15	28,0	230	1 775
MVVF60/4-2	16	18,5	34,0	250	1 905
MVVF60/5-2	25	22	41,0	290	2 045

