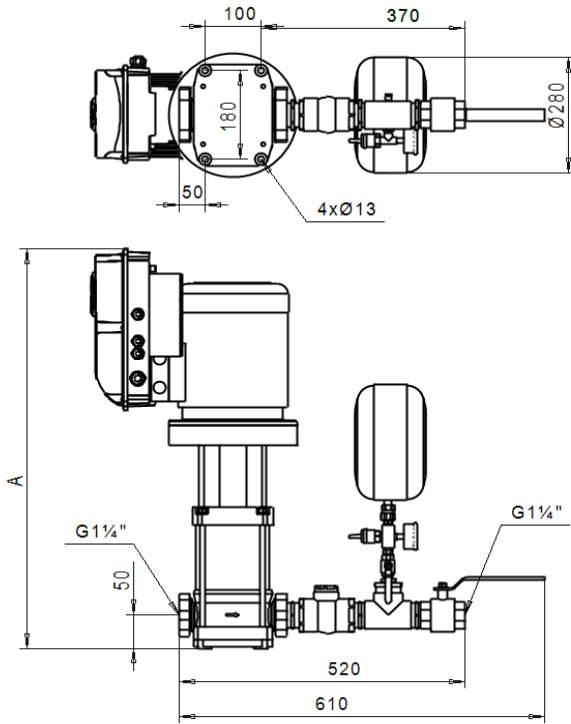


G1¼"

PN10-16

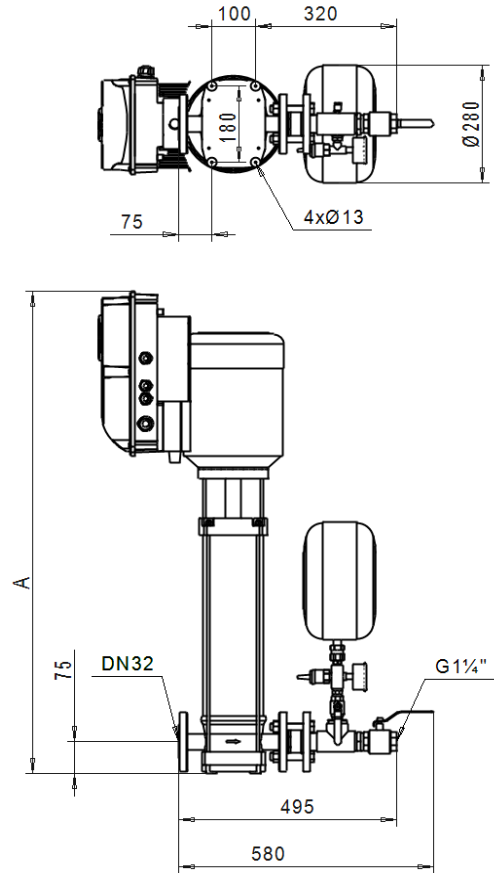
Version A = Standard



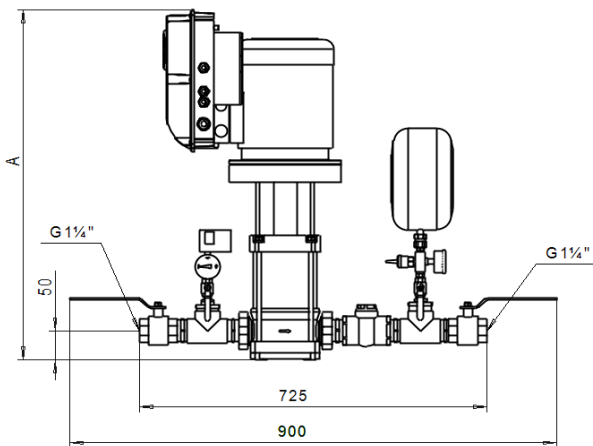
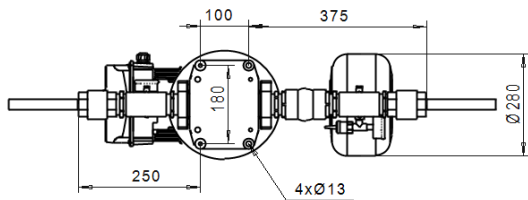
DN32 / G1¼"

PN25

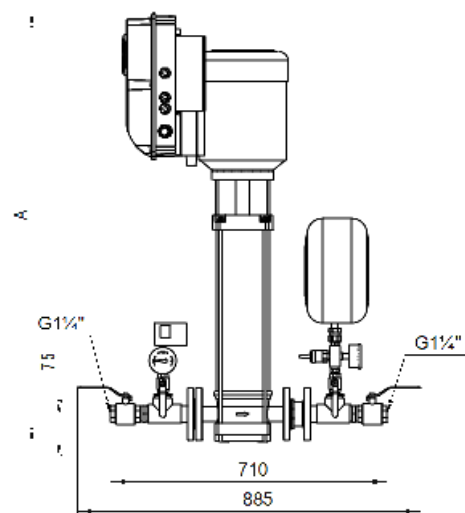
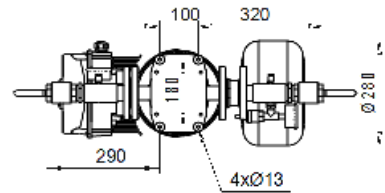
Version A = Standard



Version B



Version B



Free space 250 - 300 mm required on the top of the pump

Type	PN [bar]	P _{2,N} [kW]	3x400V I [A]	[kg]	A [mm]
BM1 -MVV 6/5B VS	10	1,1	4,0	50	755
BM1 -MVV 6/7B VS	10	1,5	4,0	50	860
BM1 -MVV 6/10B VS	16	2,2	7,3	60	965
BM1 -MVV 6/14B VS	16	3	9,6	70	1105
BM1 -MVVF 6/18B VS	25	4	11,5	80	1215
BM1 -MVVF 6/26B VS	25	5,5	14,2	120	1515

