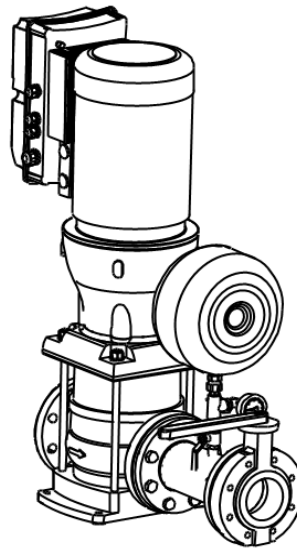
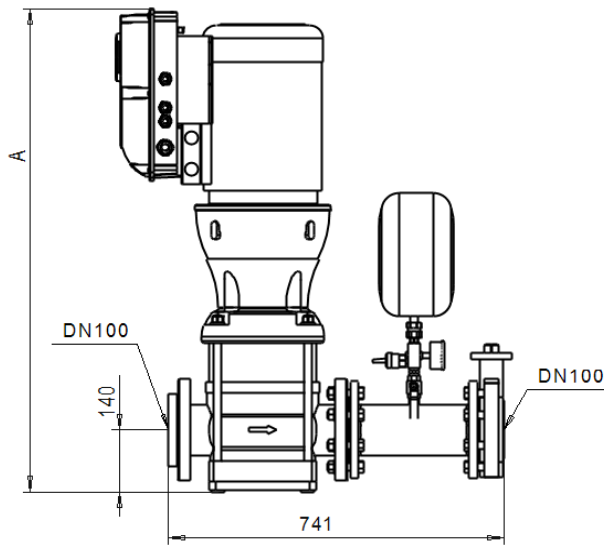
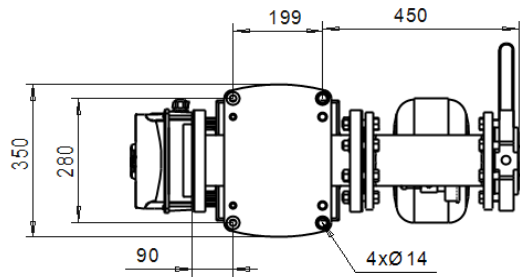


DN100

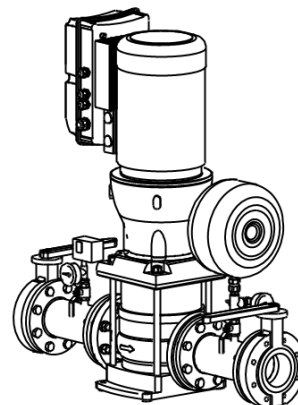
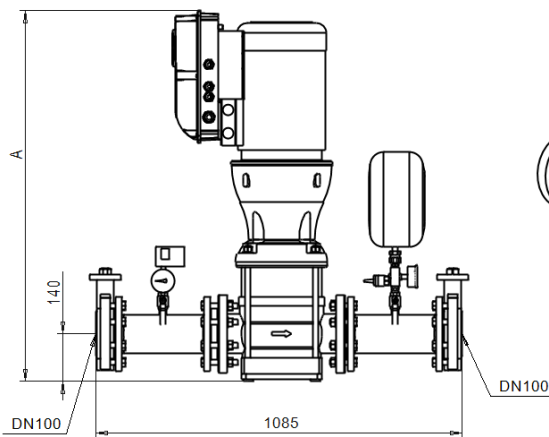
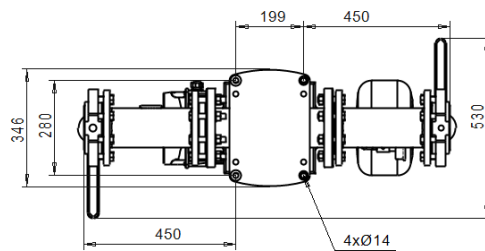
PN10-25

Version A = Standard



1

Version B



Free space 250 - 300 mm required on the top of the pump

Type	PN	P _{2,N} [kW]	3x400V I [A]	[kg]	A [mm]
BM1 -MVVF85/1-1 VS	10	5,5	14,2	170	1 140
BM1 -MVVF85/1 VS	10	7,5	20,0	180	1 170
BM1 -MVVF85/2-2 VS	10	11	21,0	270	1 455
BM1 -MVVF85/2 VS	10	15	28,0	280	1 490
BM1 -MVVF85/3-2 VS	10	18,5	34,0	310	1 640
BM1 -MVVF85/3 VS	16	22	41,0	350	1 690

