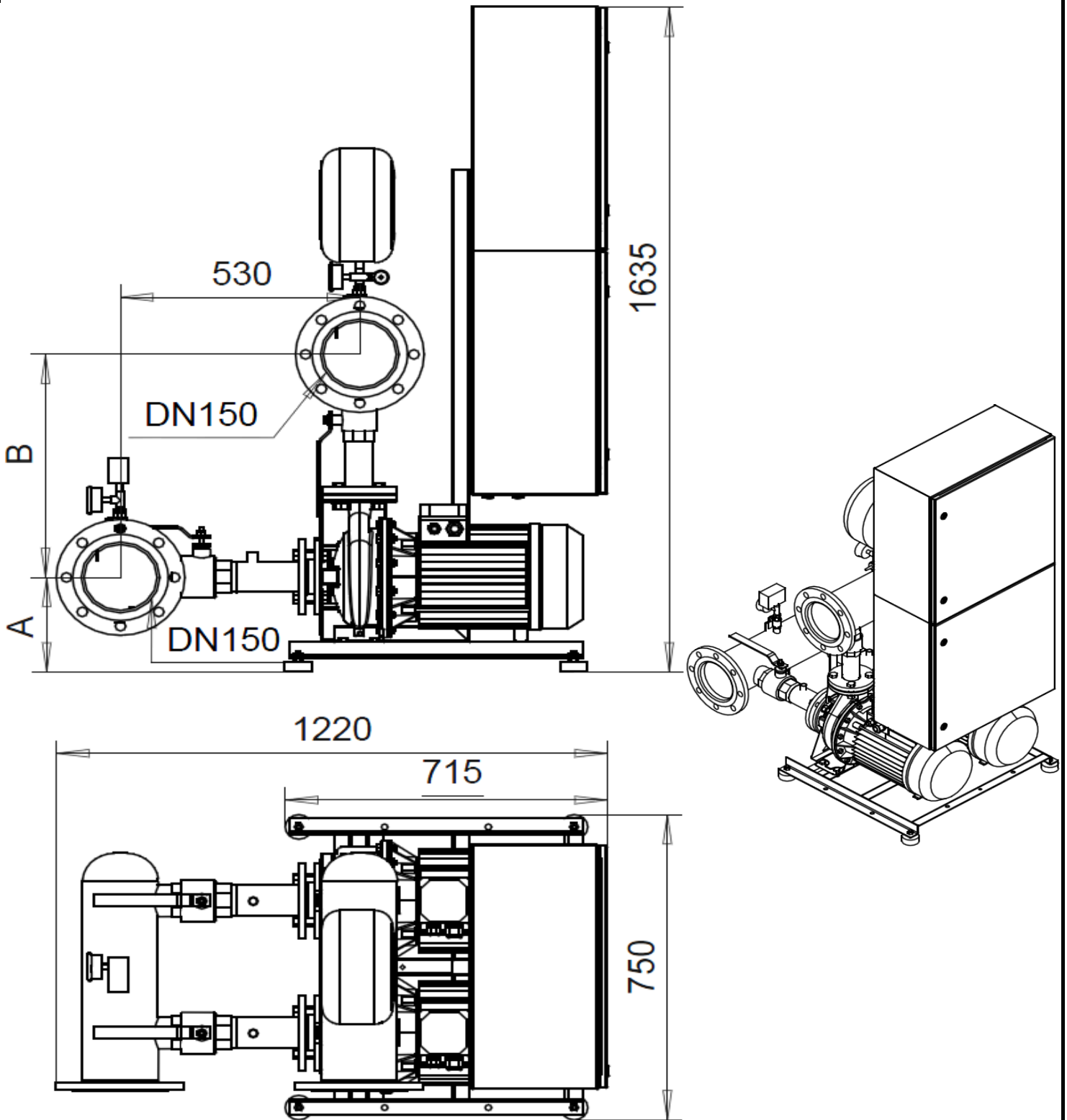


DN150

PN10



Free space 250 - 300 mm required end of the pump

Type	PN [bar]	P _{2,N} [kW]	3x400V I [A]	[kg]	A [mm]	B [mm]
BM2-KM-50-160/2 MIC Ø154	10	2 x 5,5	22,1	170	235	530
BM2-KM-50-160/2 MIC Ø166	10	2 x 7,5	30,8	190	235	530
BM2-KM-50-200/2 MIC Ø191	10	2 x 11	45,7	210	235	550
BM2-KM-50-200/2 MIC Ø200	10	2 x 15	60	270	235	550

H [m]

