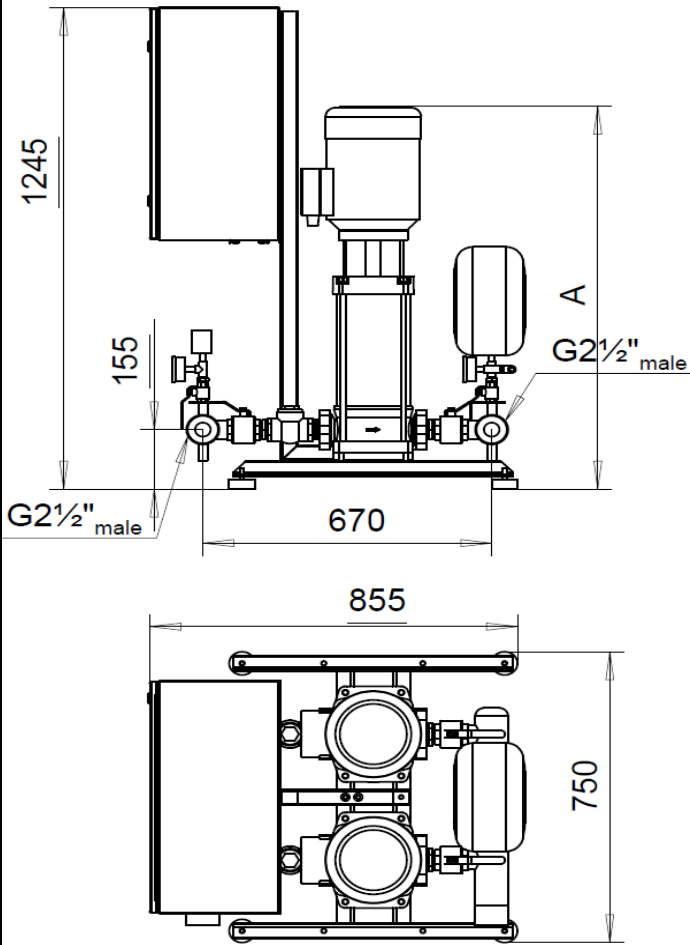


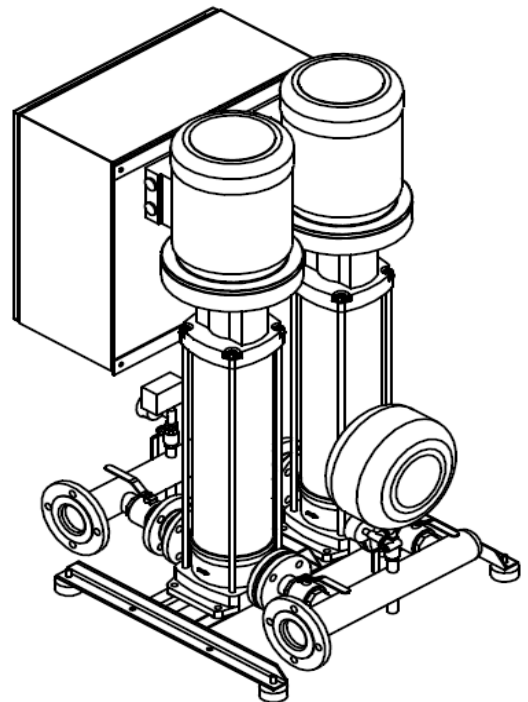
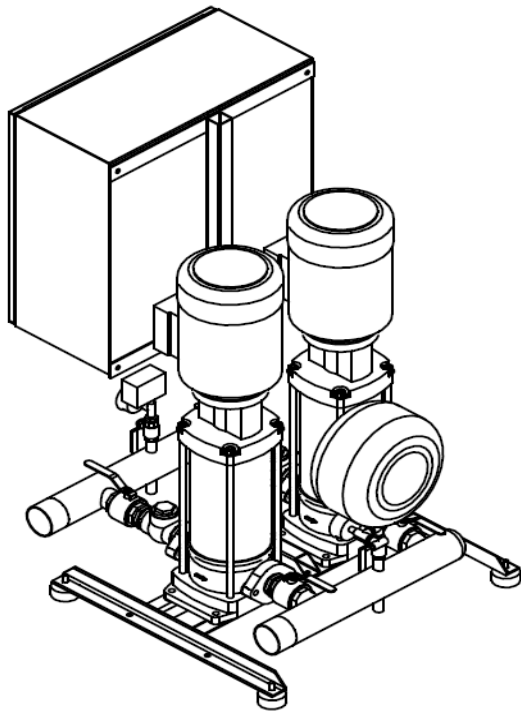
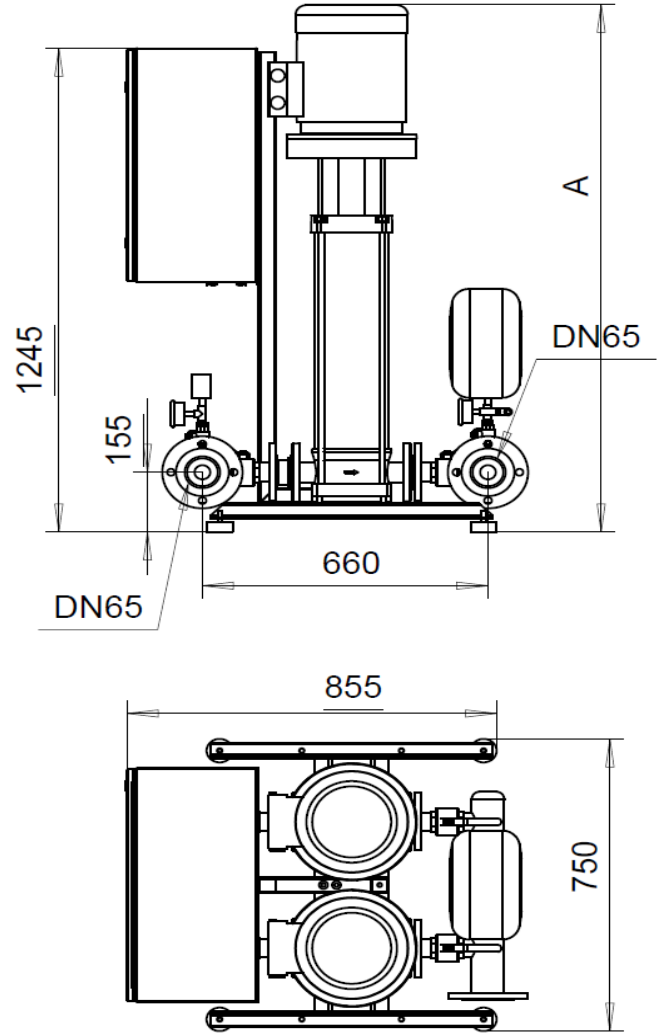
G2½"

PN10-16



DN65

PN25



Free space 250 - 300 mm required on the top of the pump

Type	PN [bar]	P _{2,N} [kW]	3x400V I [A]	[kg]	A [mm]
BM2 -MVV 10/2B MIC	10	2 x 0,75	4,8	140	695
BM2 -MVV 10/4B MIC	10	2 x 1,5	8,0	160	755
BM2 -MVV 10/6B MIC	10	2 x 2,2	11,0	170	820
BM2 -MVV 10/8B MIC	16	2 x 3	11,7	190	930
BM2 -MVV 10/11B MIC	16	2 x 4	17,5	210	990
BM2 -MVVF 10/15B MIC	25	2 x 5,5	26,5	300	1 230
BM2 -MVVF 10/21B MIC	25	2 x 7,5	35,8	340	1 390

