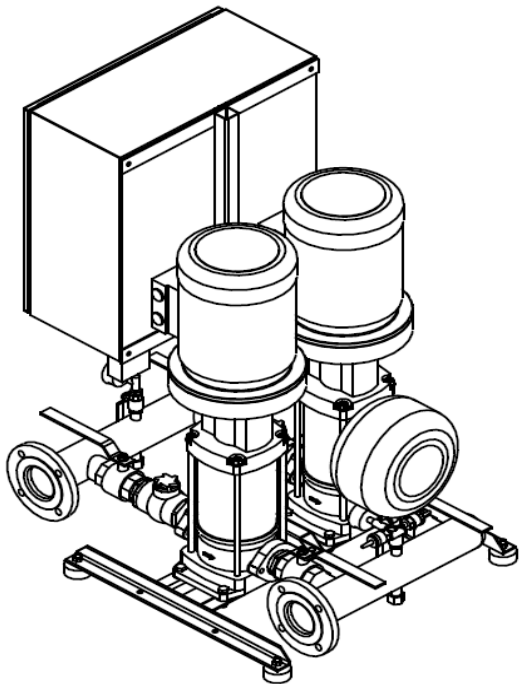
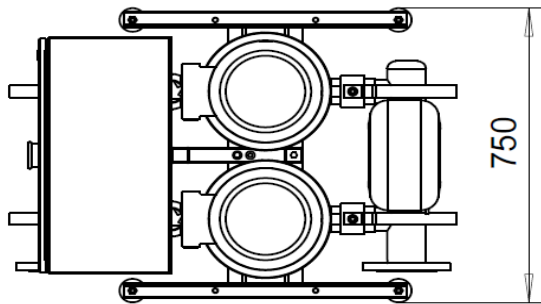
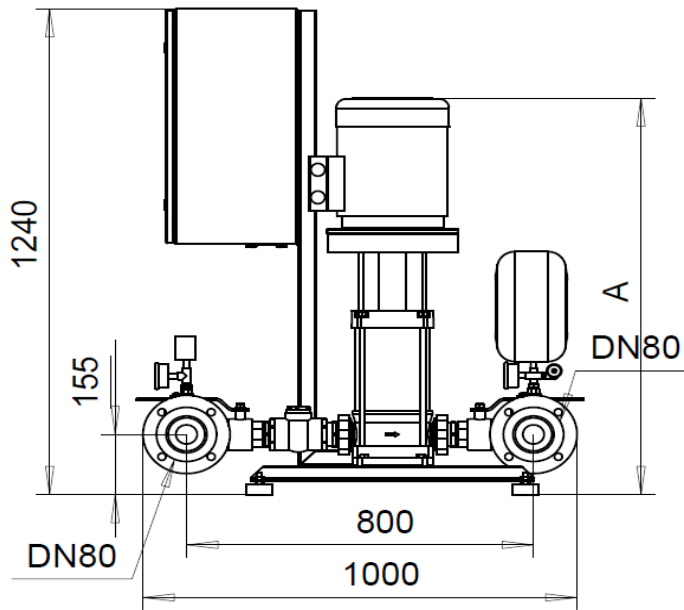


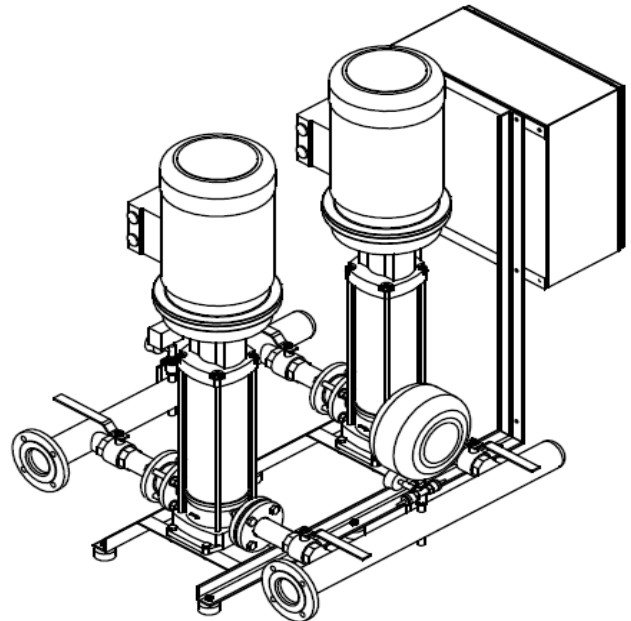
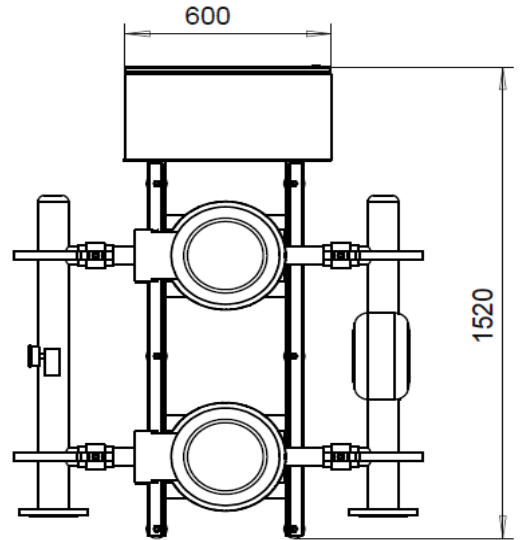
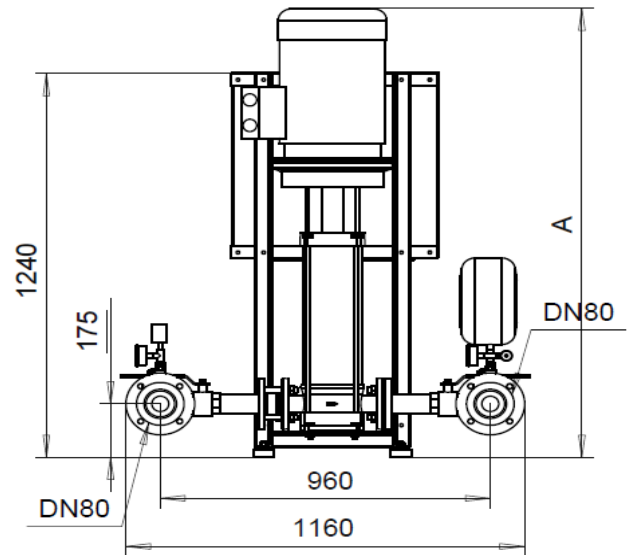
DN80

PN10-16



DN80

PN25



Free space 250 - 300 mm required on the top of the pump

Type	PN [bar]	P <sub>2,N</sub> [kW]	3x400V I [A]	[kg]	A [mm]
BM2 -MVV 15/2B MIC	10	2 x 2,2	11	170	725
BM2 -MVV 15/3B MIC	10	2 x 3	11,7	190	805
BM2 -MVV 15/4B MIC	10	2 x 4	17,5	200	845
BM2 -MVV 15/6B MIC	16	2 x 5,5	26,5	290	1 000
BM2 -MVV 15/8B MIC	16	2 x 7,5	35,8	330	1 055
BM2 -MVVF 15/11B MIC	25	2 x 11	52,6	490	1 305
BM2 -MVVF 15/17B MIC	25	2 x 15	65,3	540	1 465

