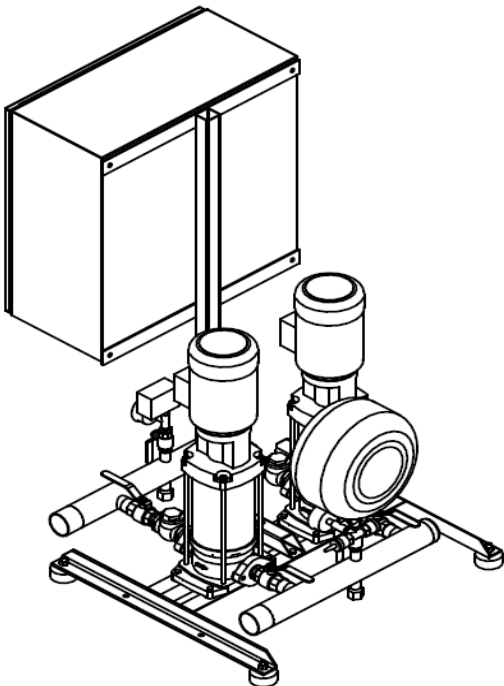
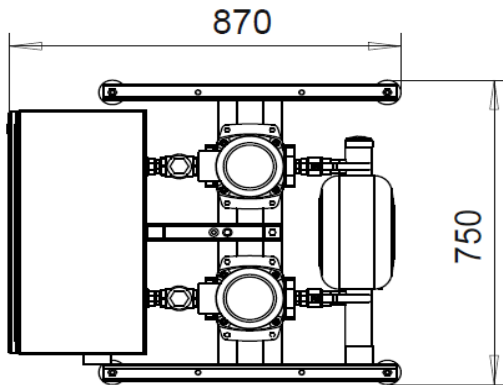
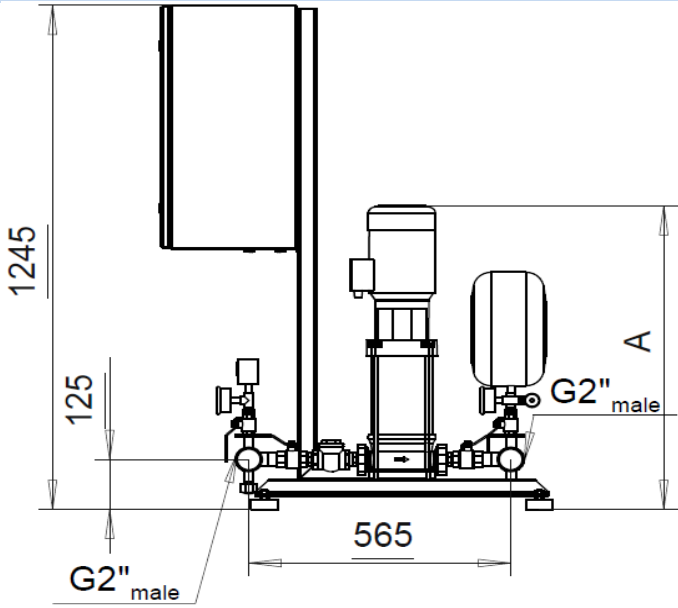


BM2 -MVV(F) 2/_

1200-3000 r/mim

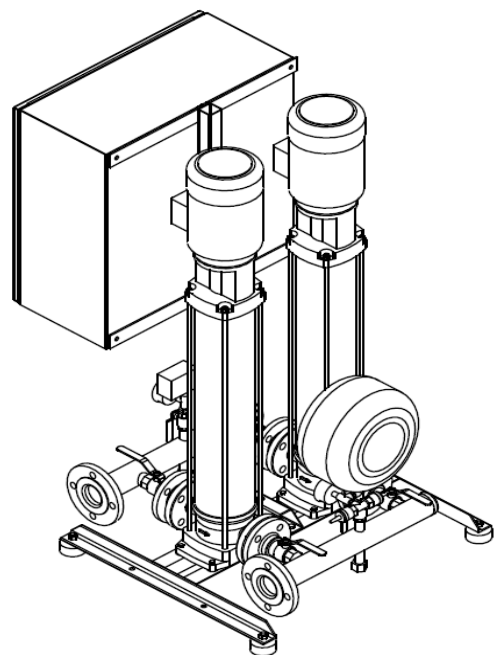
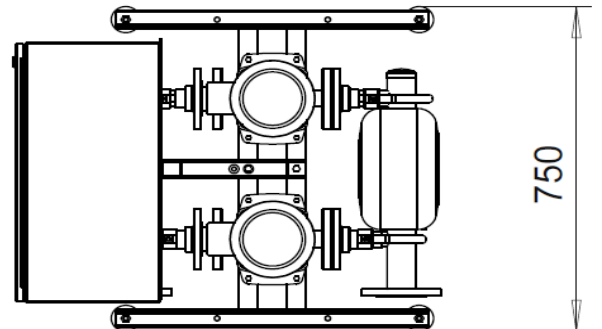
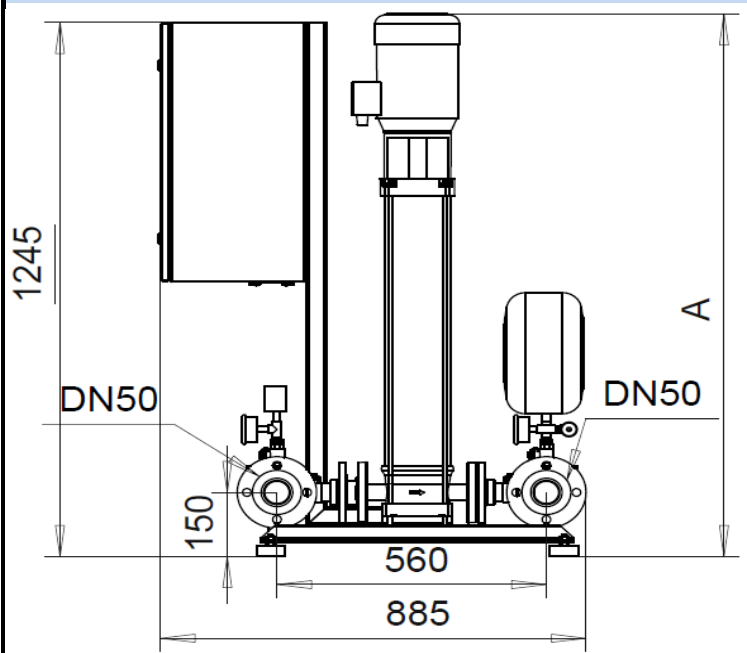
G2"

PN16



DN50

PN25



Free space 250 - 300 mm required on the top of the pump

Type	PN	[kW]	3x400V I [A]	[kg]	A [mm]
BM2 -MVV 2/10B MIC	16	2 x 0,75	4,8	130	800
BM2 -MVVF 2/20B MIC	25	2 x 1,5	8,0	150	1 050
BM2 -MVVF 2/30B MIC	25	2 x 2,2	11,0	200	1 265

