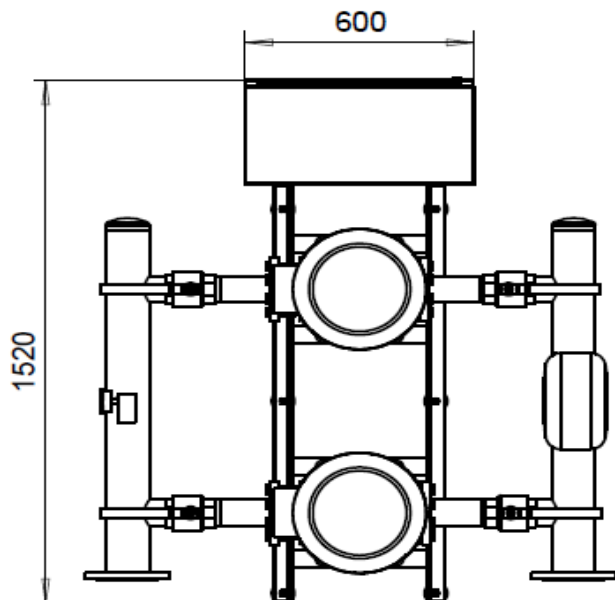
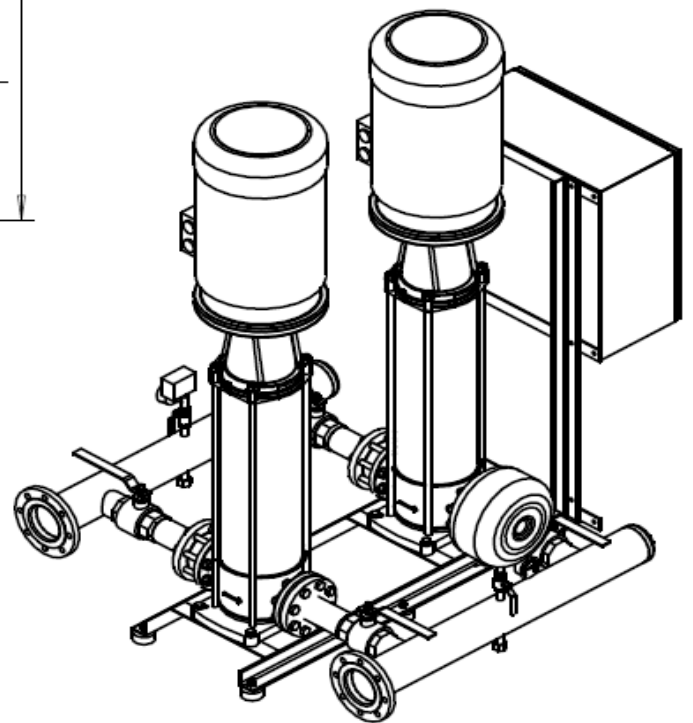
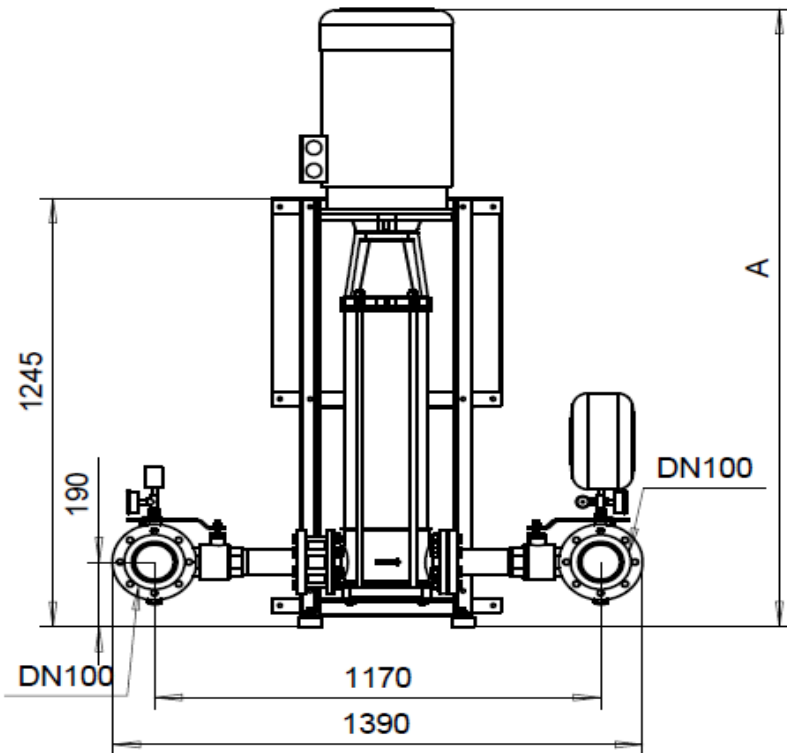


DN100

PN10-25



Free space 250 - 300 mm required on the top of the pump

Type	PN [bar]	P _{2,N} [kW]	3x400V I [A]	[kg]	A [mm]
BM2 -MVVF 25/1 MIC	10	2 x 2,2	11	260	780
BM2 -MVVF 25/2 MIC	10	2 x 4	17,5	280	900
BM2 -MVVF 25/3 MIC	10	2 x 5,5	26,5	340	1 085
BM2 -MVVF 25/4 MIC	16	2 x 7,5	35,8	370	1 150
BM2 -MVVF 25/6 MIC	16	2 x 11	52,6	550	1 440
BM2 -MVVF 25/9 MIC	25	2 x 15	65,3	610	1 640
BM2 -MVVF 25/11 MIC	25	2 x 18,5	80	640	1 800
BM2 -MVVF 25/12 MIC	25	2 x 22	98,9	740	1 915

