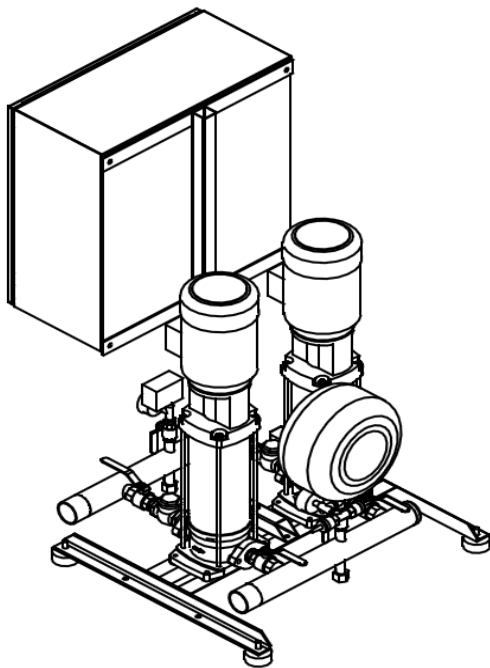
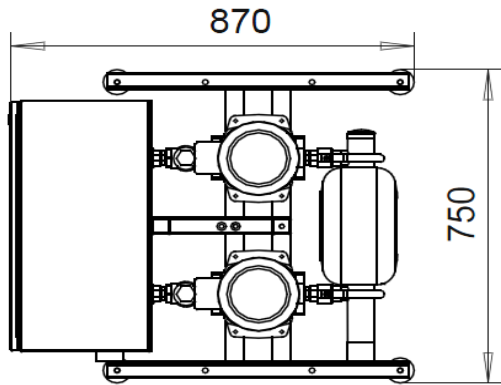
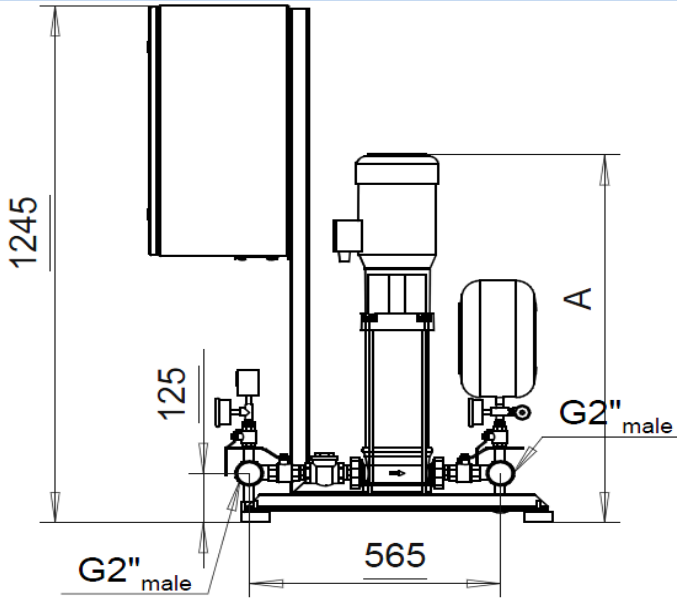


BM2 -MVV(F) 4/ _

1200-3000 r/mim

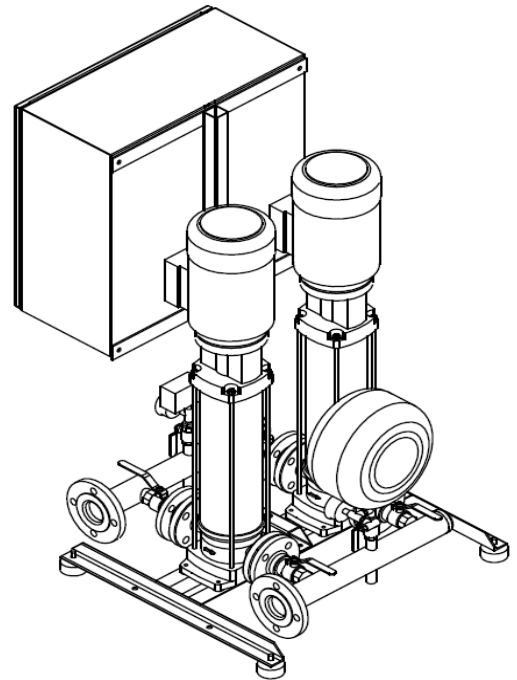
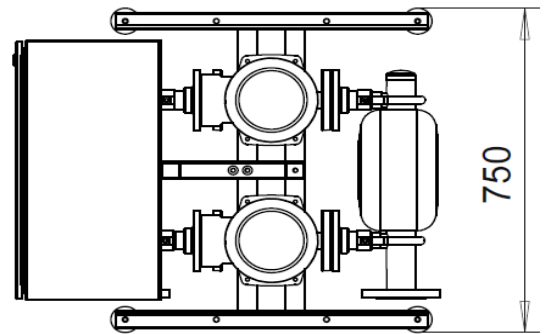
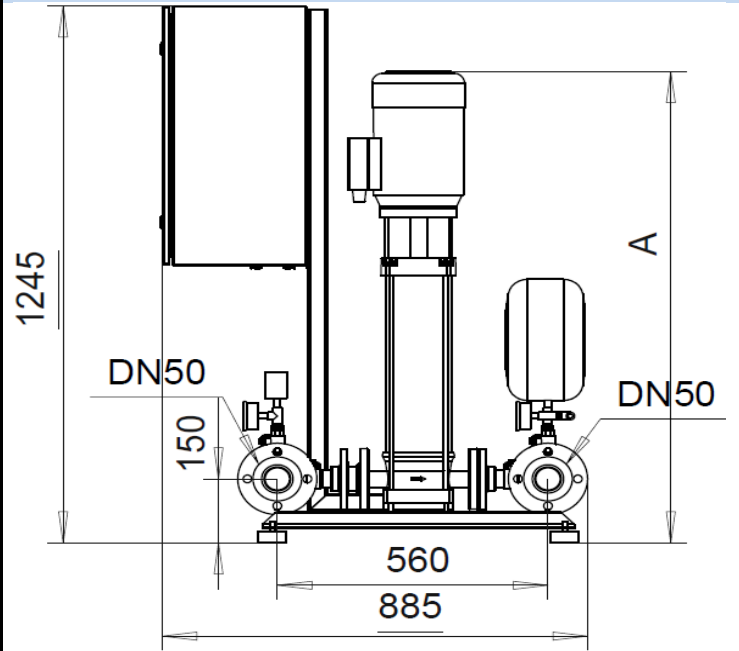
G2"

PN10-16



DN50

PN25



Free space 250 - 300 mm required on the top of the pump

Type	PN [bar]	P _{2,N} [kW]	3x400V I [A]	[kg]	A [mm]
BM2 -MVV 4/5B MIC	10	2 x 0,75	4,8	130	690
BM2 -MVV 4/10B MIC	16	2 x 1,5	8,0	140	805
BM2 -MVV 4/14B MIC	16	2 x 2,2	11,0	150	920
BM2 -MVVF 4/20B MIC	25	2 x 3	11,7	170	1 095
BM2 -MVVF 4/26B MIC	25	2 x 4	17,5	190	1 230

