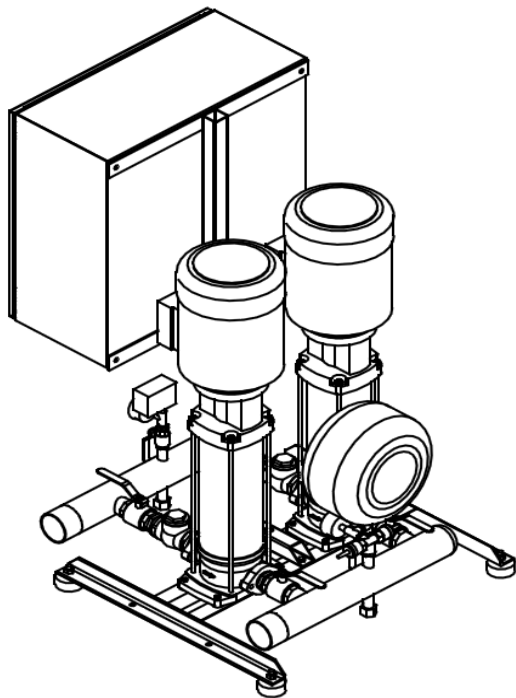
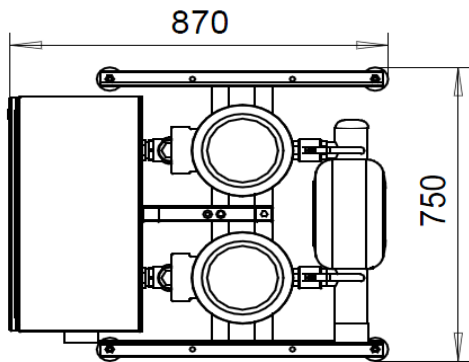
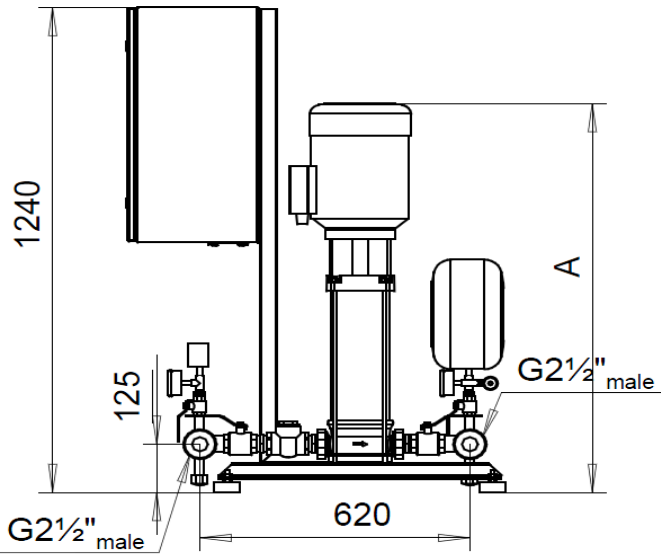


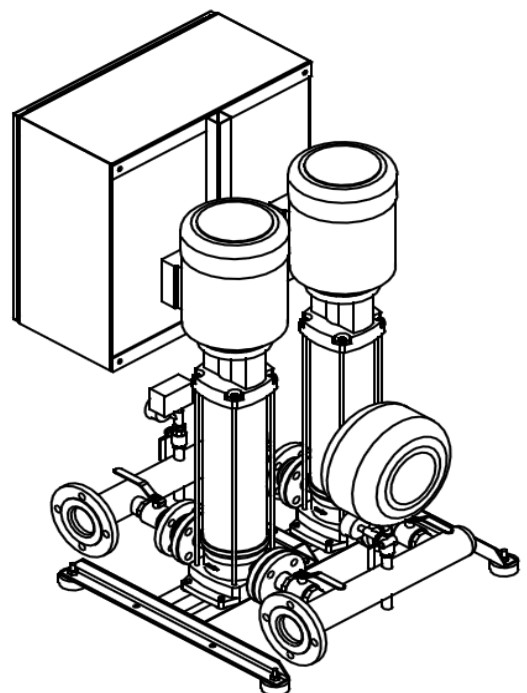
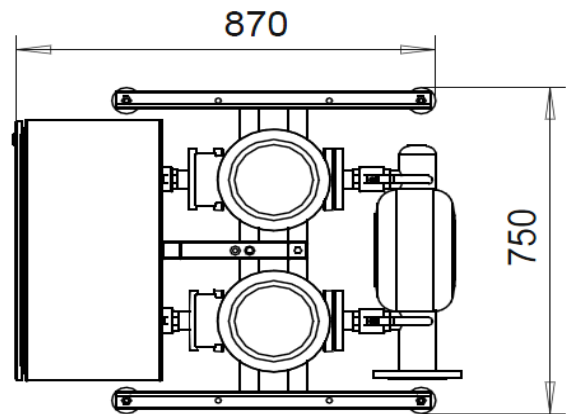
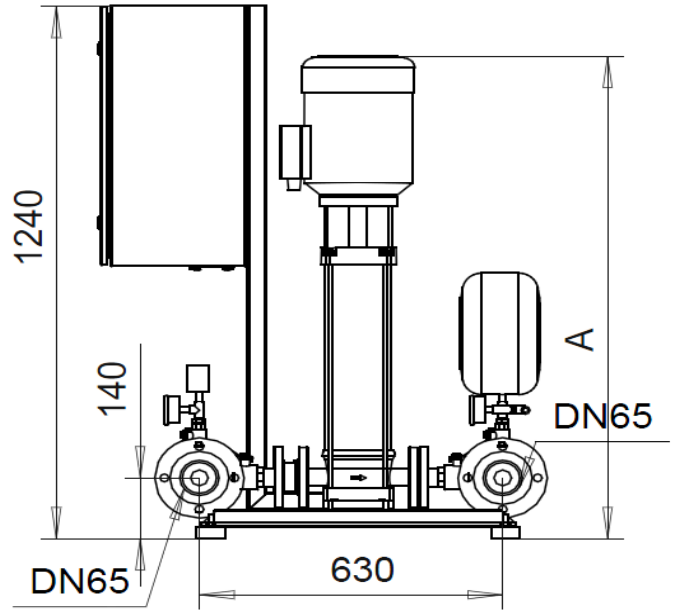
G2½"

PN10-16



DN65

PN25



Free space 250 - 300 mm required on the top of the pump

Type	PN [bar]	P _{2,N} [kW]	3x400V I [A]	[kg]	A [mm]
BM2 -MVV 6/3B MIC	10	2 x 0,75	4,8	130	660
BM2 -MVV 6/7B MIC	10	2 x 1,5	8,0	150	770
BM2 -MVV 6/10B MIC	16	2 x 2,2	11,0	150	870
BM2 -MVV 6/14B MIC	16	2 x 3	11,7	180	1 010
BM2 -MVVF 6/18B MIC	25	2 x 4	17,5	190	1 120
BM2 -MVVF 6/26B MIC	25	2 x 5,5	26,5	280	1 420

