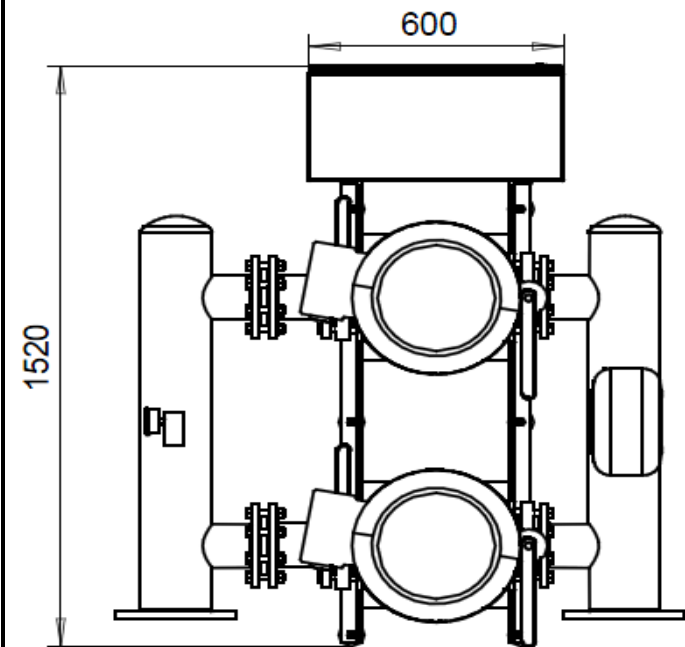
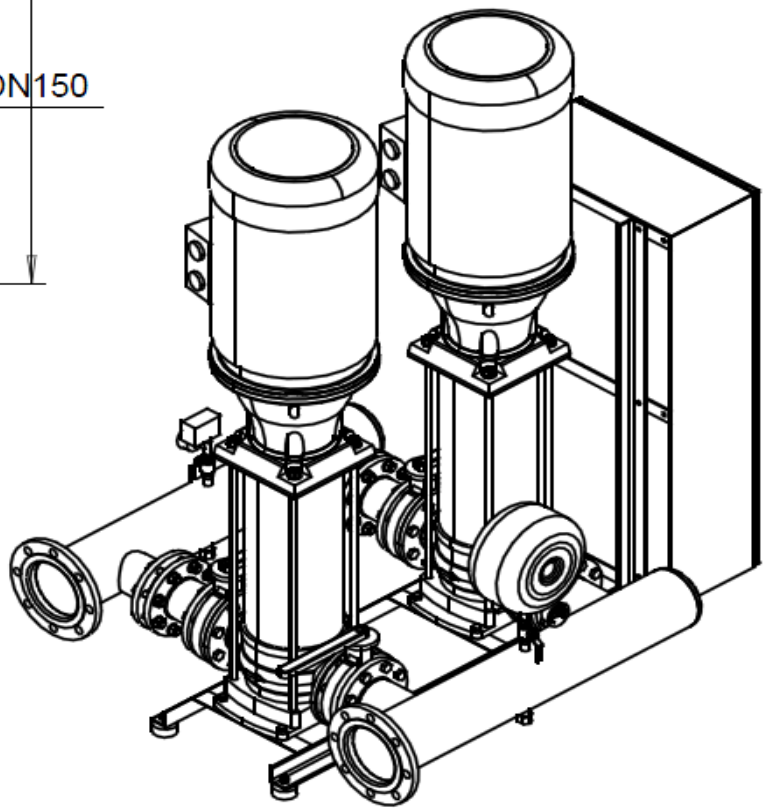
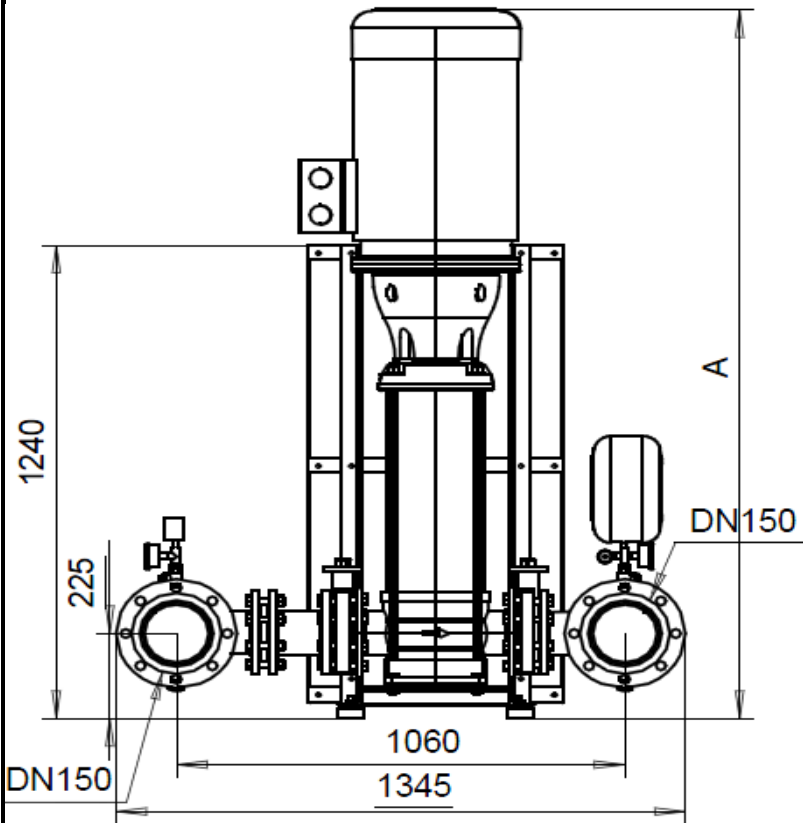


DN150

PN10-25

Dimensional drawings for PN10. Dimensions for PN16-25 on request.



Free space 250 - 300 mm required on the top of the pump

Type	PN [bar]	P _{2,N} [kW]	3x400V I [A]	[kg]	A [mm]
BM2 -MVVF 85/1-1 MIC	10	2 x 5,5	26,5	400	1 055
BM2 -MVVF 85/1 MIC	10	2 x 7,5	35,8	420	1 085
BM2 -MVVF 85/2-2 MIC	10	2 x 11	52,6	600	1 365
BM2 -MVVF 85/2 MIC	10	2 x 15	65,3	640	1 365
BM2 -MVVF 85/3-2 MIC	16	2 x 18,5	80	690	1 520
BM2 -MVVF 85/3 MIC	16	2 x 22	98,9	780	1 520
BM2 -MVVF 85/4 MIC	16	2 x 30	130,5	970	1 735
BM2 -MVVF 85/5 MIC	25	2 x 37	162,1	1 050	1 860
BM2 -MVVF 85/6 MIC	25	2 x 45	195,8	1 350	2 010

