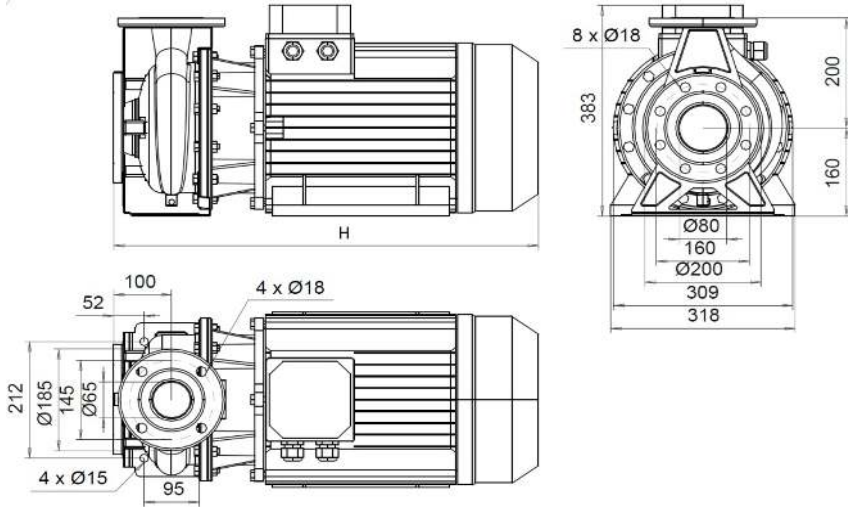


KD-65-160/2

K-65-160/2

KM-65-160/2



| ZH09 | P_{2N} | I_N 400V | m | H |
|------|----------|------------|------|------|
| | [kW] | [A] | [kg] | [mm] |
| | 7,5 | 13,6 | 74 | 559 |
| 11 | 21,3 | 88 | 595 | |
| 15 | 27,7 | 130 | 732 | |

| ZH09 | P_{2N} | I_N 400V | m | H |
|------|----------|------------|------|------|
| | [kW] | [A] | [kg] | [mm] |
| | 9,2 | 17,7 | 72 | 595 |
| 11 | 18,3 | 88 | 595 | |
| 15 | 28,7 | 130 | 732 | |

Min 150 mm free space required at the end of the pump

