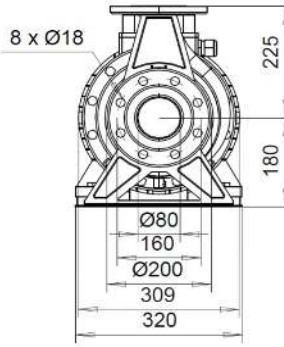
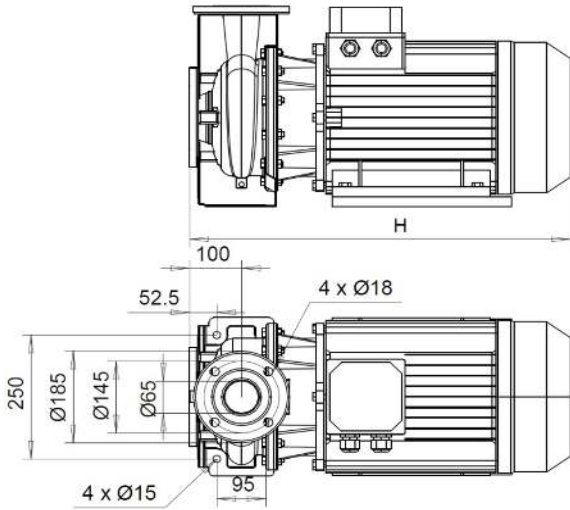


KD-65-200/2

K-65-200/2

KM-65-200/2



ZH09	P_{2N}	I_N 400V	m	H
	[kW]	[A]	[kg]	[mm]
	15	27,7	130	732
	18,5	35,0	147	732
	22	39,7	159	732
ZH09	P_{2N}	I_N 400V	m	H
	[kW]	[A]	[kg]	[mm]
	15	28,7	123	732
	18,5	34,8	137	732
	22	41,7	145	732

Min 150 mm free space required at the end of the pump

