

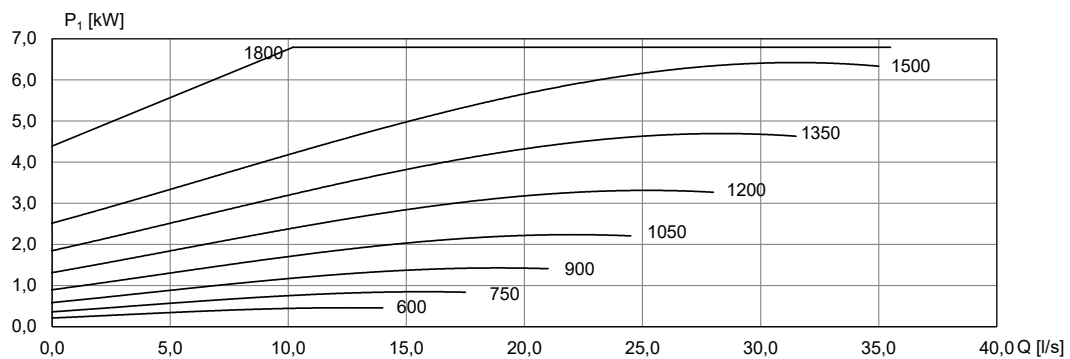
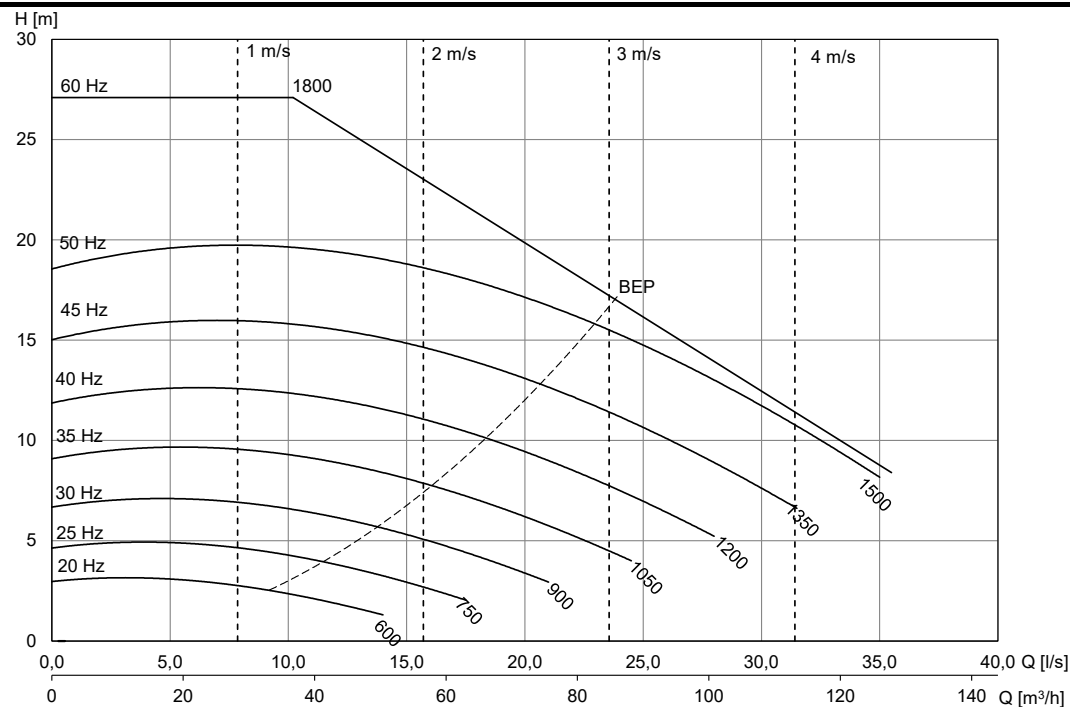
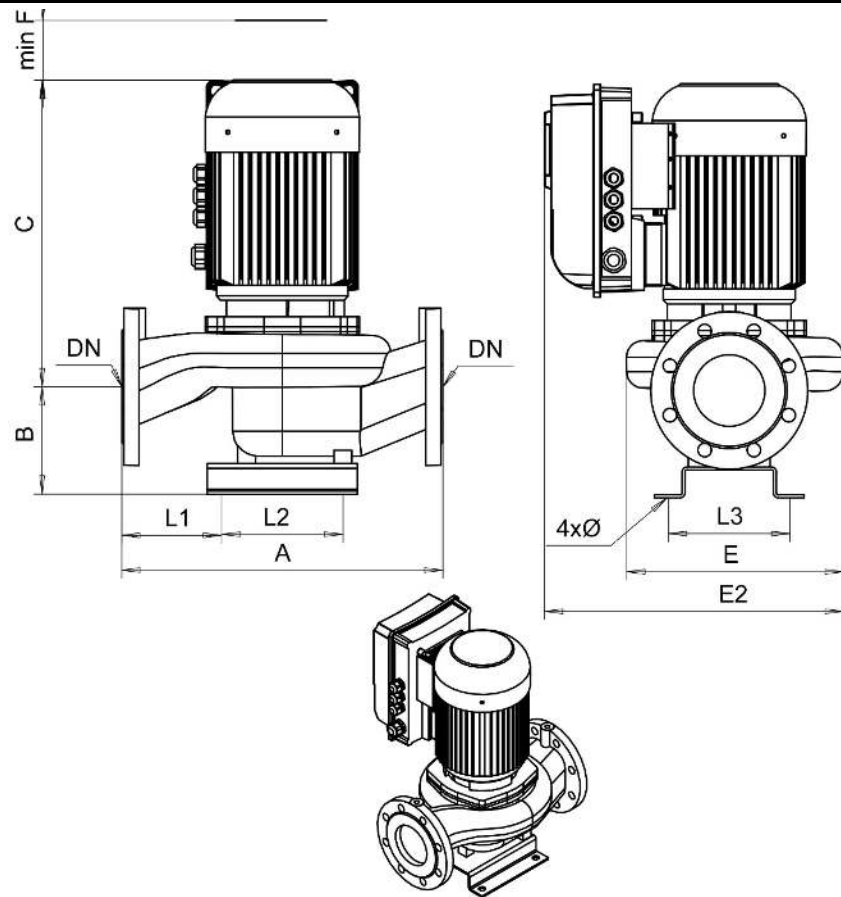
LP-100S/4 VS

DN100

600 - 1800 r/min

Ø247

3~ 400 V



[mm]									
A	B	C	minF	E	E2	L1	L2	L3	Ø
660	173	555	250	445	570	208	290	290	22

Motor	P_{2N} [kW]	I_N [A] (3x400V)	[kg]
KPVS-133 G2 F31	5,5	14,2	204