

L-100S/4 NC

LH-100S/4 NC

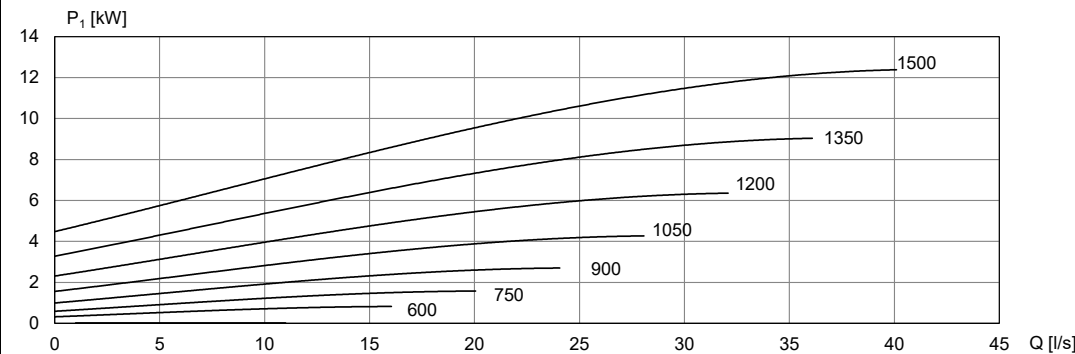
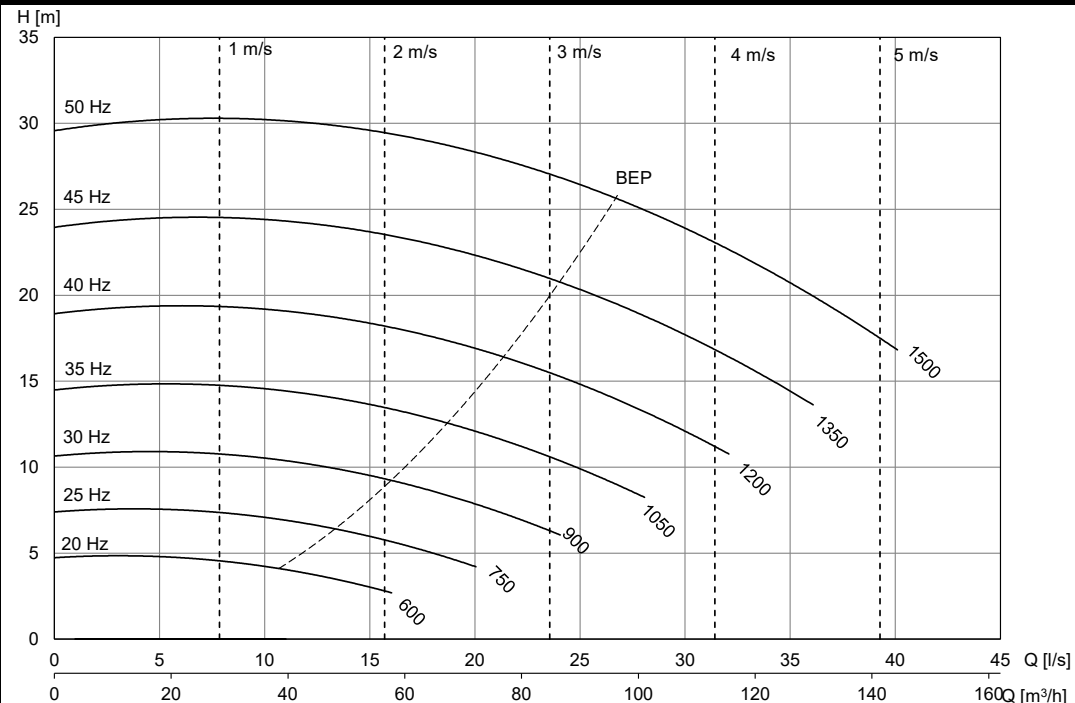
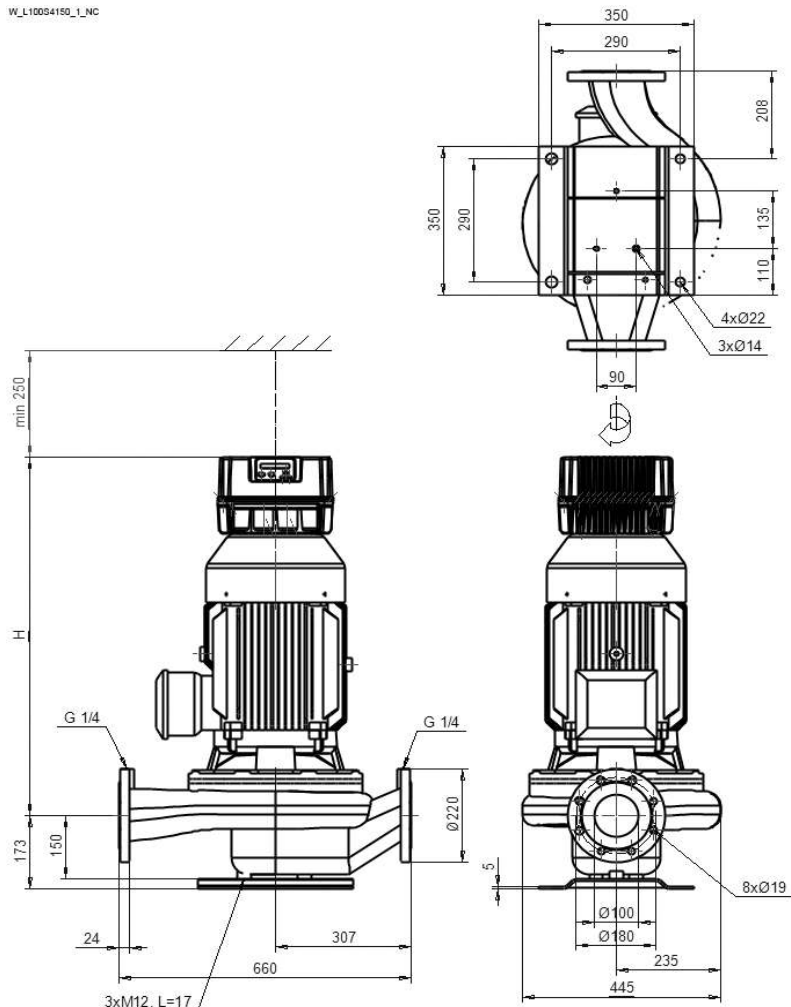
DN100

600 - 1500 r/min

Ø300

3~400 V

WL100S4150\_1\_NC



Motor	$P_{2N}$ [kW]	$I_{n,Max}$ [A] ( 3x400V)	[kg]	H [mm]
KP-166 F2 F31	11	31,0	280	880