

L-100S/4 NC

LH-100S/4 NC

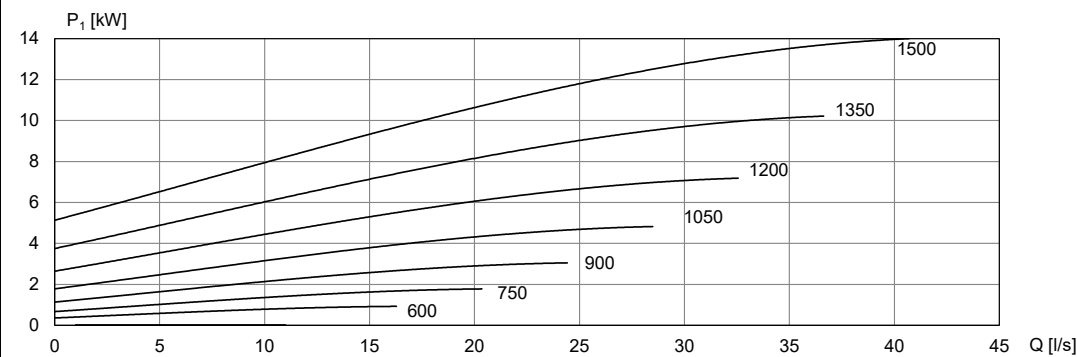
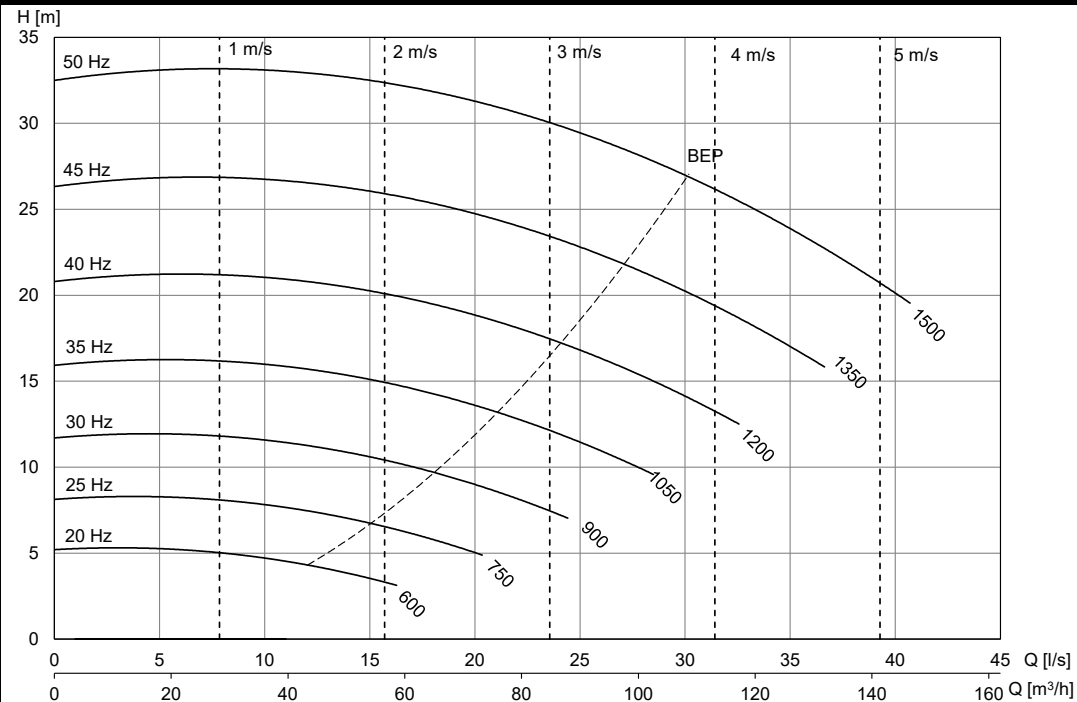
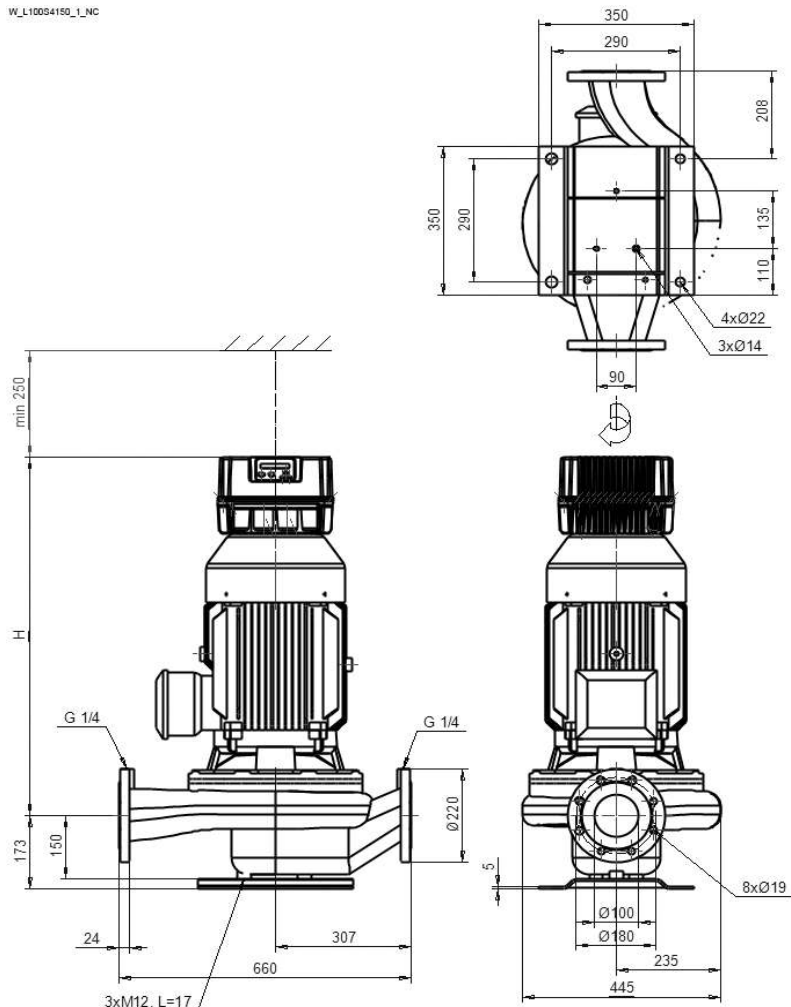
DN100

600 - 1500 r/min

Ø315

3~400 V

WL100S4150_1_NC



Motor	P_{2N} [kW]	$I_{In,Max}$ [A] (3x400V)	[kg]	H [mm]
KP-166 F2 F31	15	35,0	285	880