

L-50D/2 NC

LH-50D/2 NC

LP-50D/2 NC

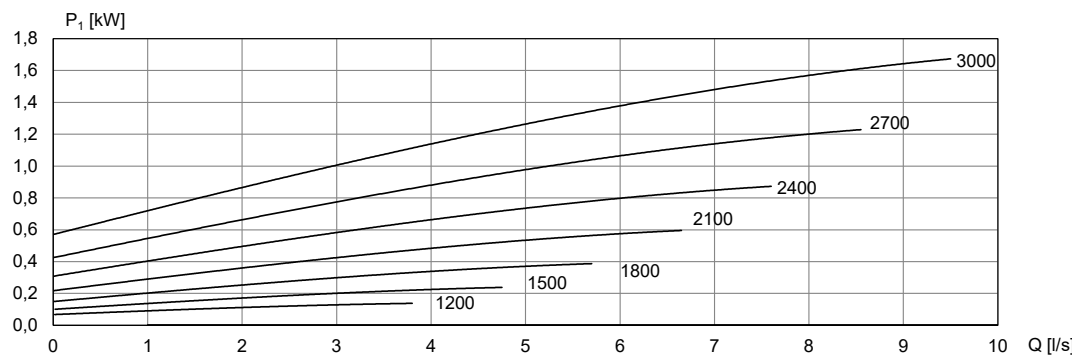
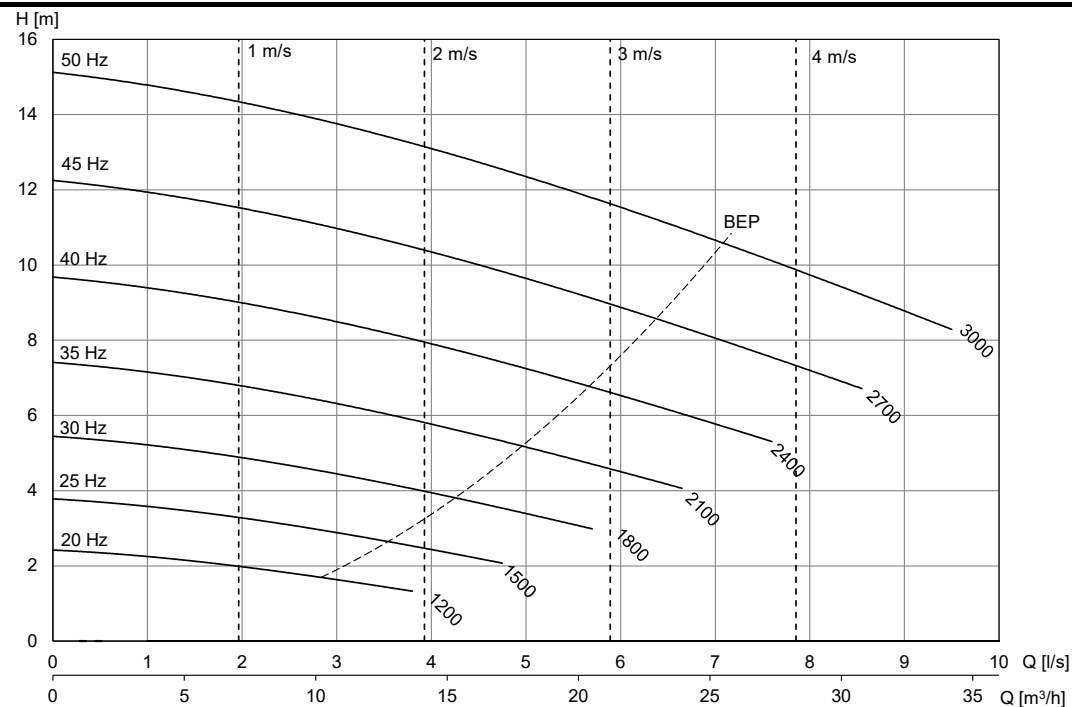
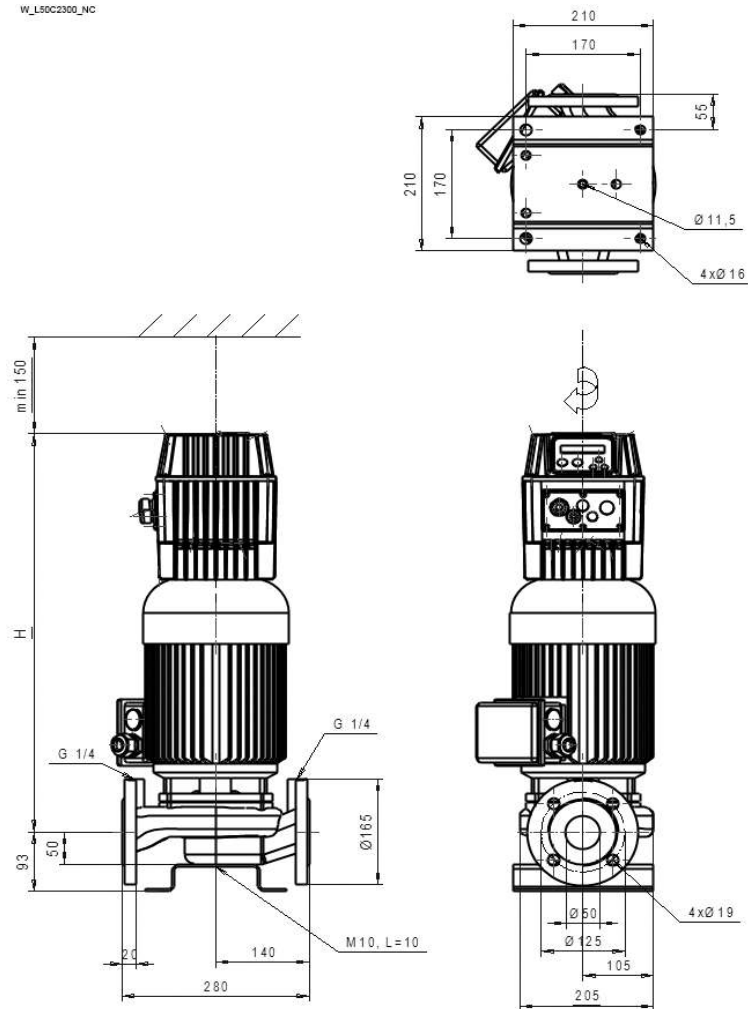
DN50

1200 - 3000 r/min

Ø110

1~230 V

W_L50C2300_NC



| Motor | P_{2N} [kW] | $I_{In,Max}$ [A] (1x230V) | [kg] | H [mm] |
|---------------|---------------|----------------------------|------|--------|
| KH-101 C1 F16 | 1,5 | 15,0 | 46 | 585 |