

L-50D/2 NC

LH-50D/2 NC

LP-50D/2 NC

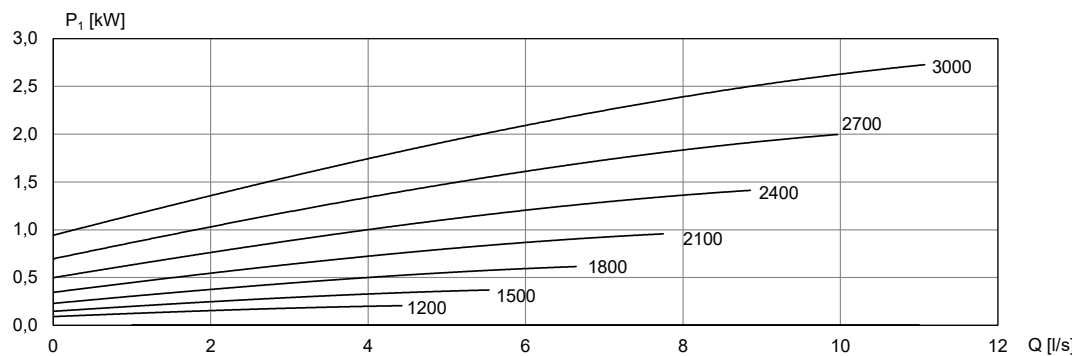
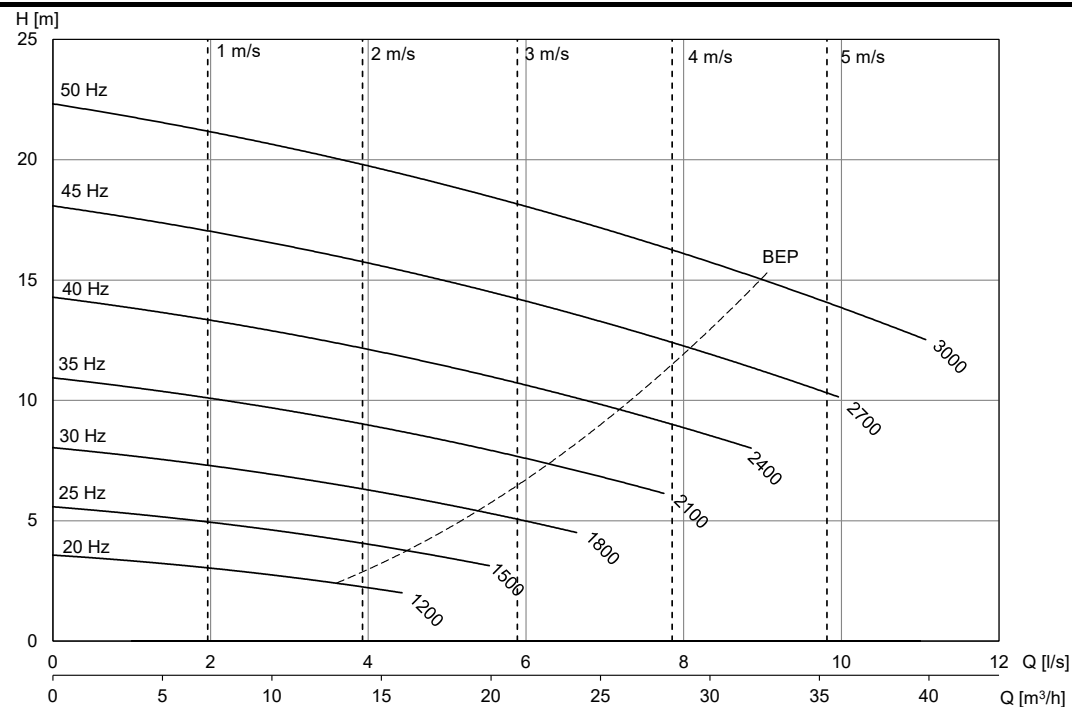
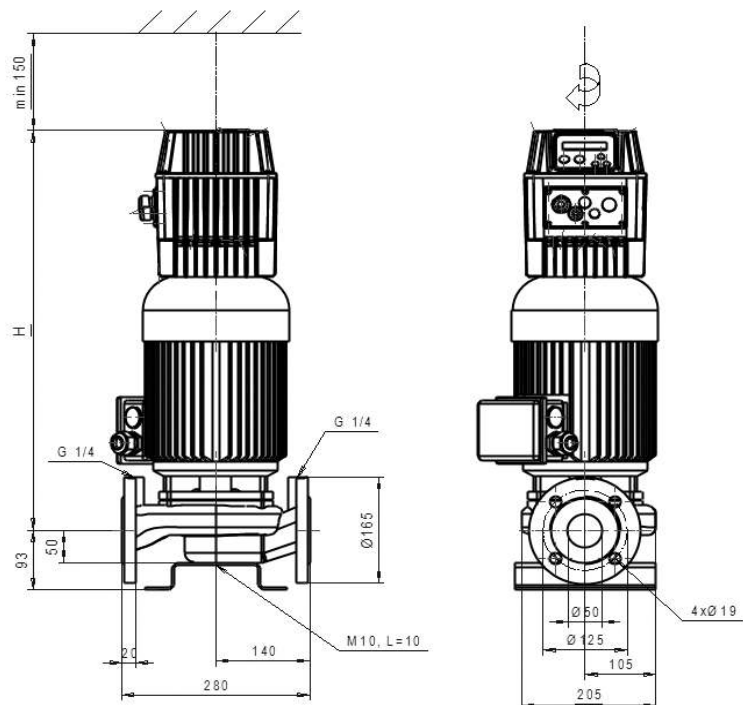
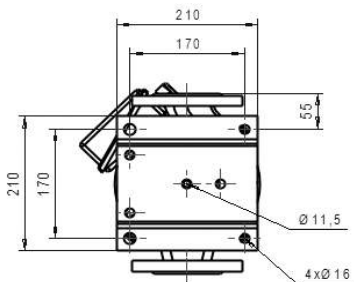
DN50

1200 - 3000 r/min

Ø130

1~230 V

W_L50C2300_NC



Motor	P _{2N} [kW]	I _{in,Max} [A] (1x230V)	[kg]	H [mm]
KH-101 D1 F16	2,2	20,0	49	585