

L-65A/4 NC

LH-65A/4 NC

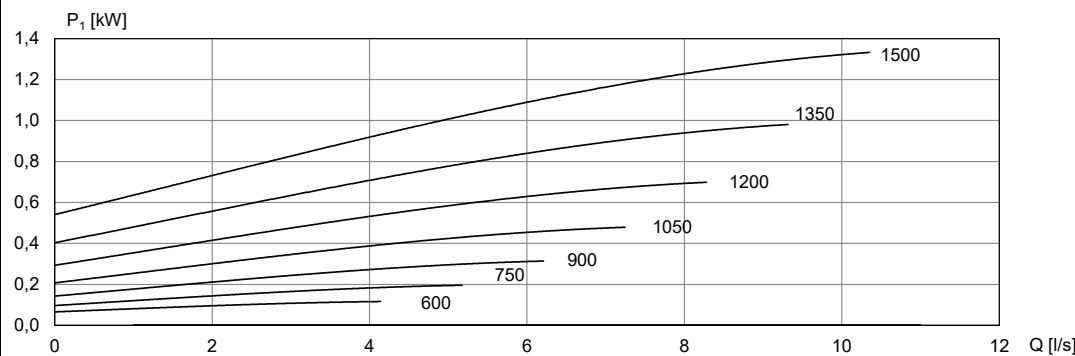
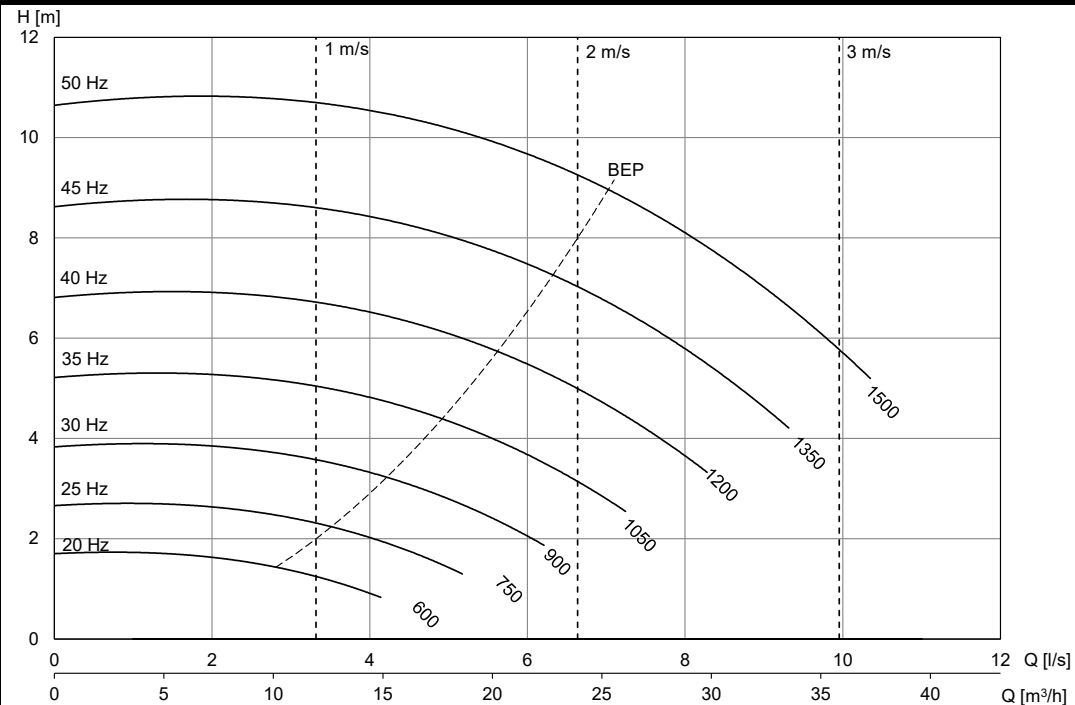
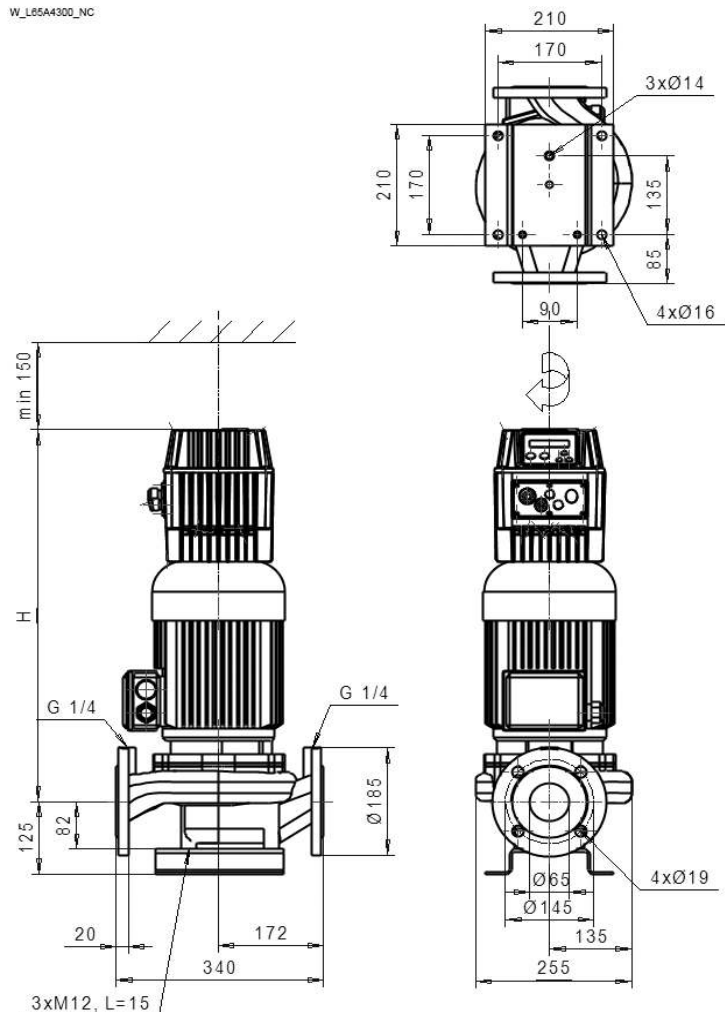
DN65

600 - 1500 r/min

Ø180

1~230 V

W\_L65A4300\_NC



Motor	$P_{2N}$ [kW]	$I_{in,Max}$ [A] ( 1x230V)	[kg]	H [mm]
KH-101 C2 F19	1,1	15,0	54	600