

L-65A/4 NC

LH-65A/4 NC

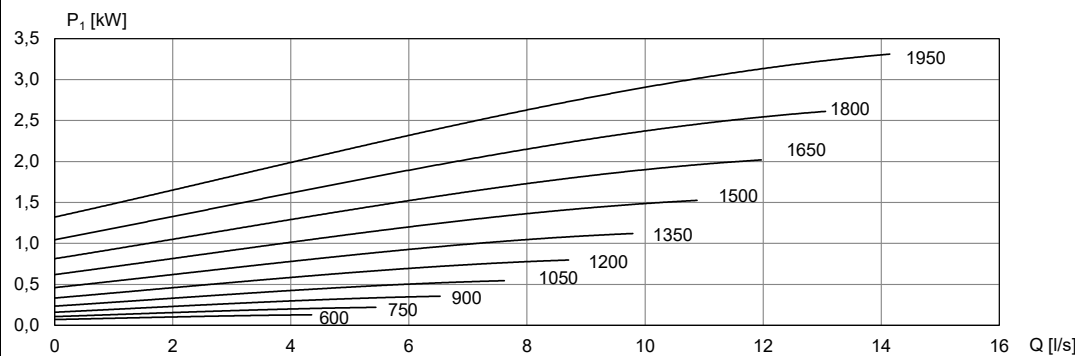
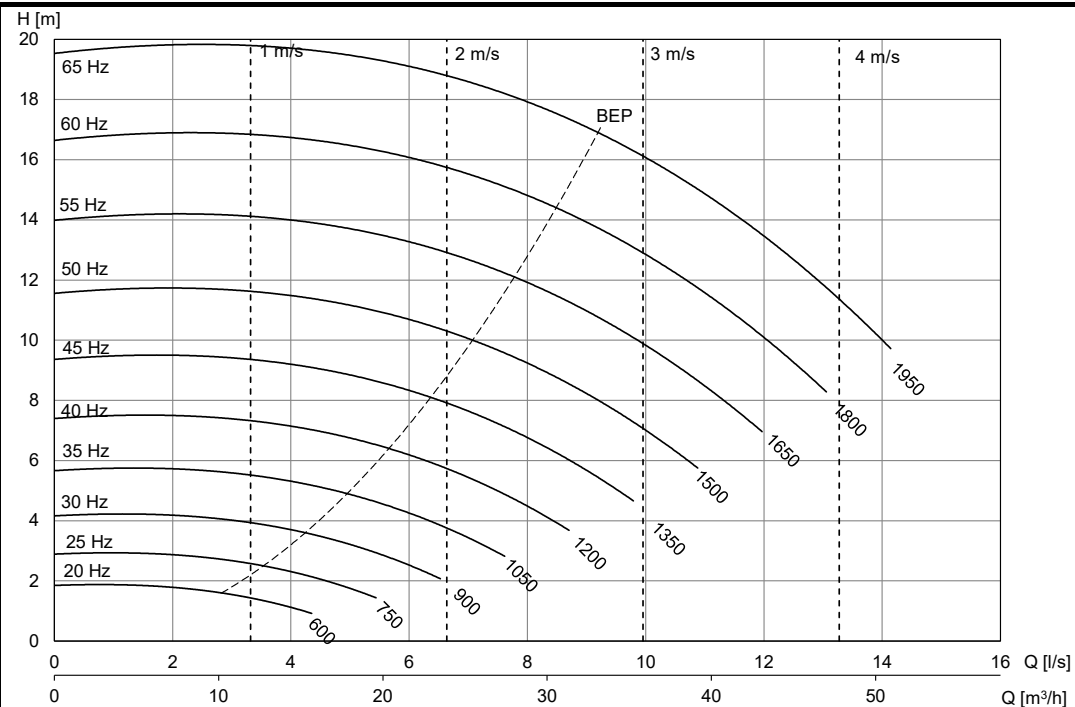
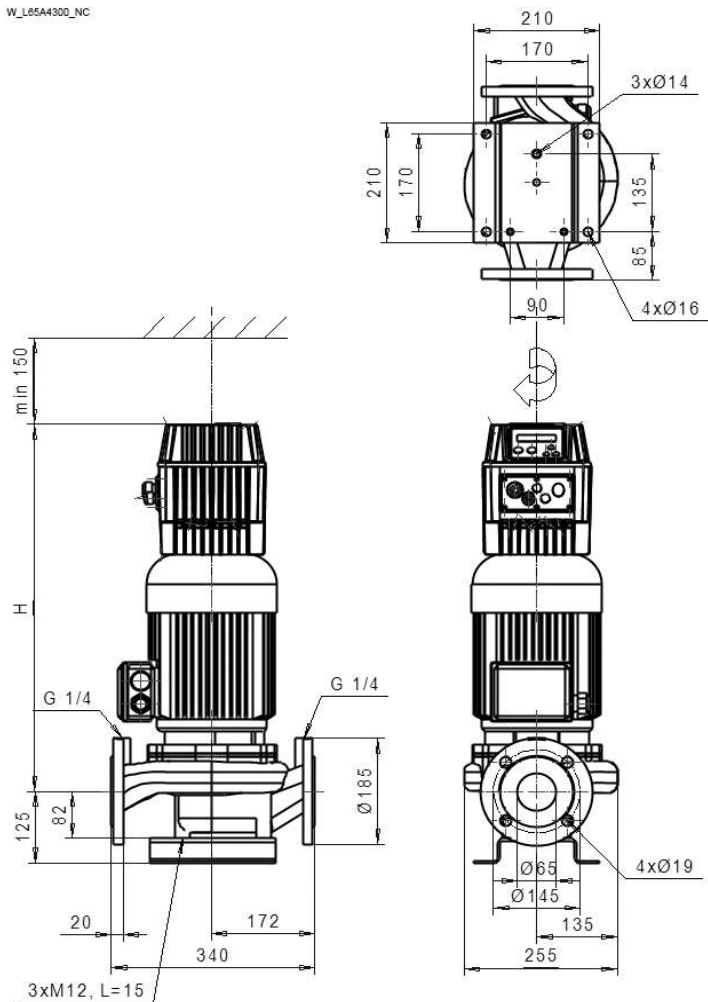
DN65

600 - 1950 r/min

Ø188

1~230 V

W_L05A4300_NC



Motor	P_{2N} [kW]	$I_{in,Max}$ [A] (1x230V)	[kg]	H [mm]
KH-112 E2 F19	3	20,0	68	645