

L-65B/2 NC

LH-65B/2 NC

LS-65B/2 NC

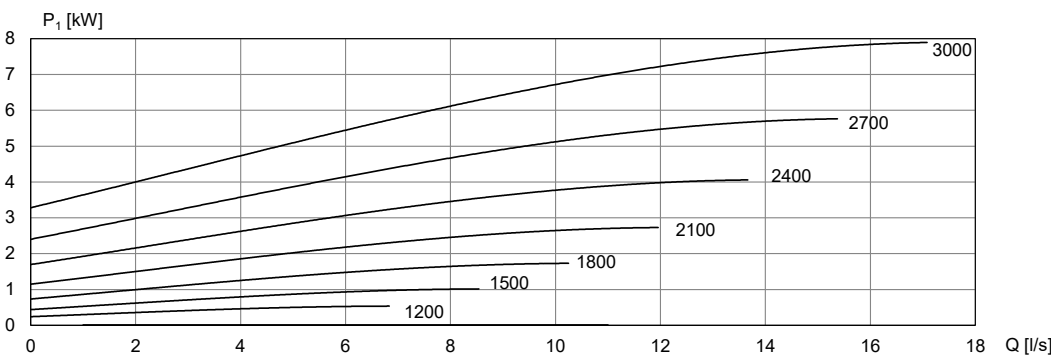
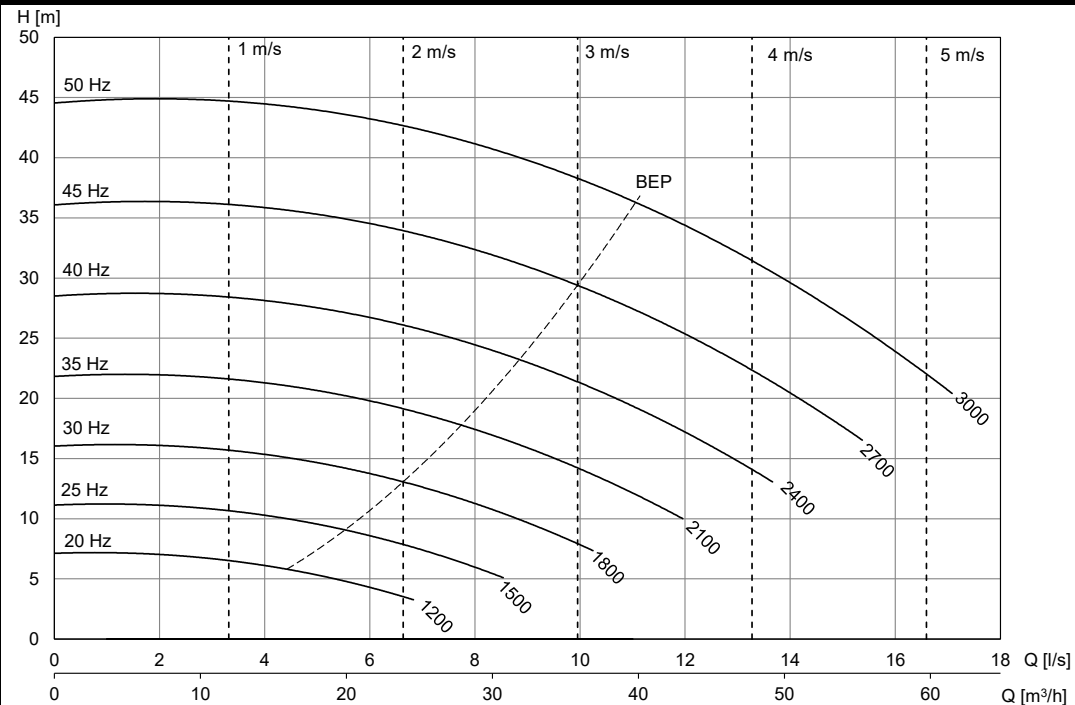
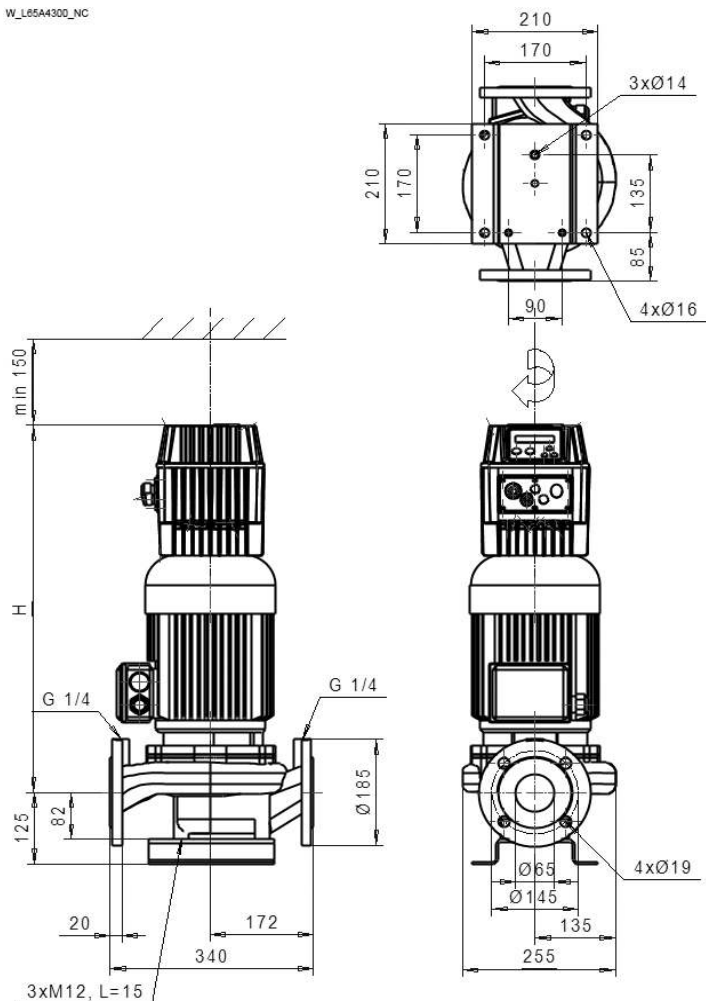
DN65

1200 - 3000 r/min

Ø184

3~400 V

W\_L65A4300\_NC



Motor	$P_{2N}$ [kW]	$I_{in,Max}$ [A] ( 3x400V)	[kg]	H [mm]
KP-132 E1 F19	7,5	21,0	103	655