

L-80A/2 NC

LH-80A/2 NC

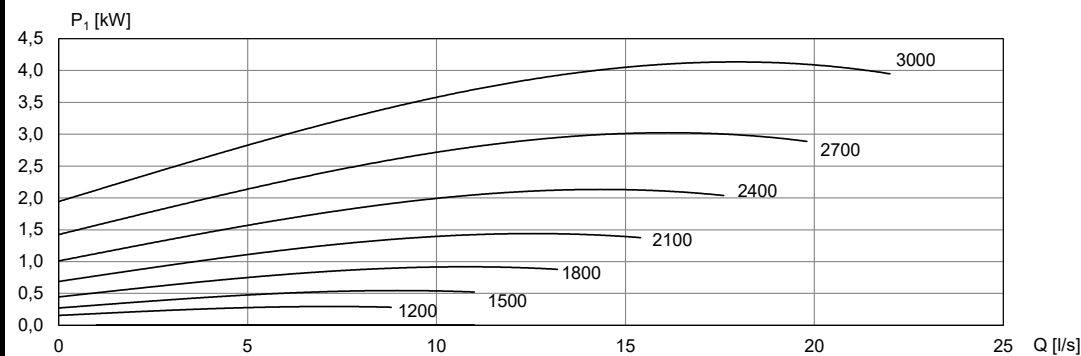
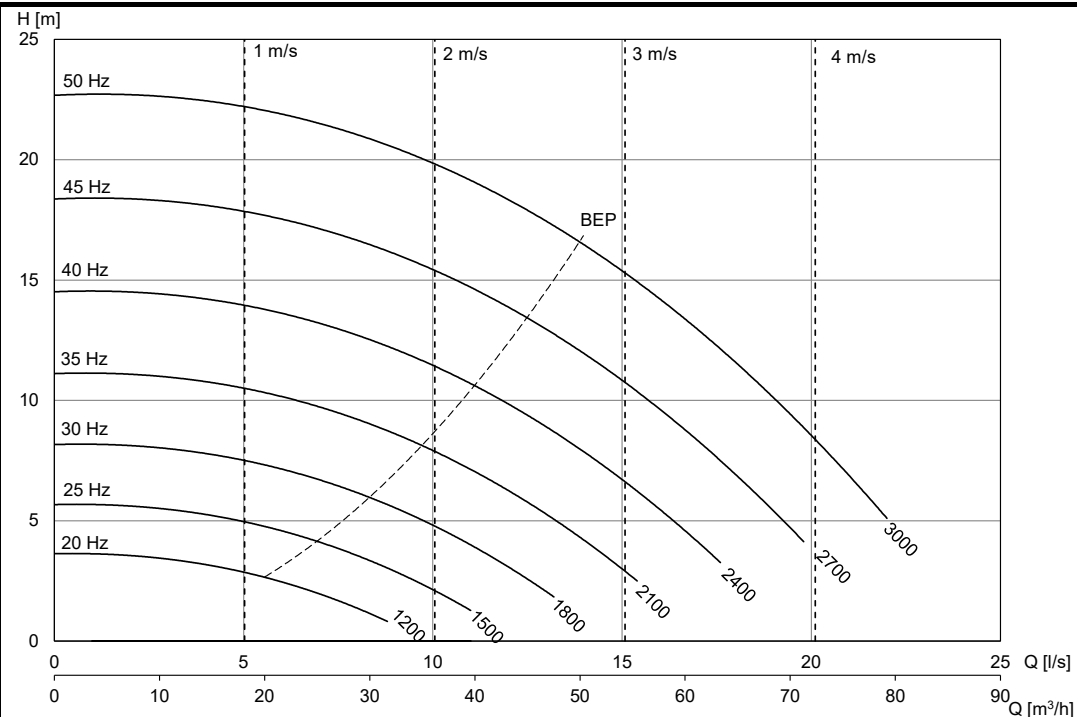
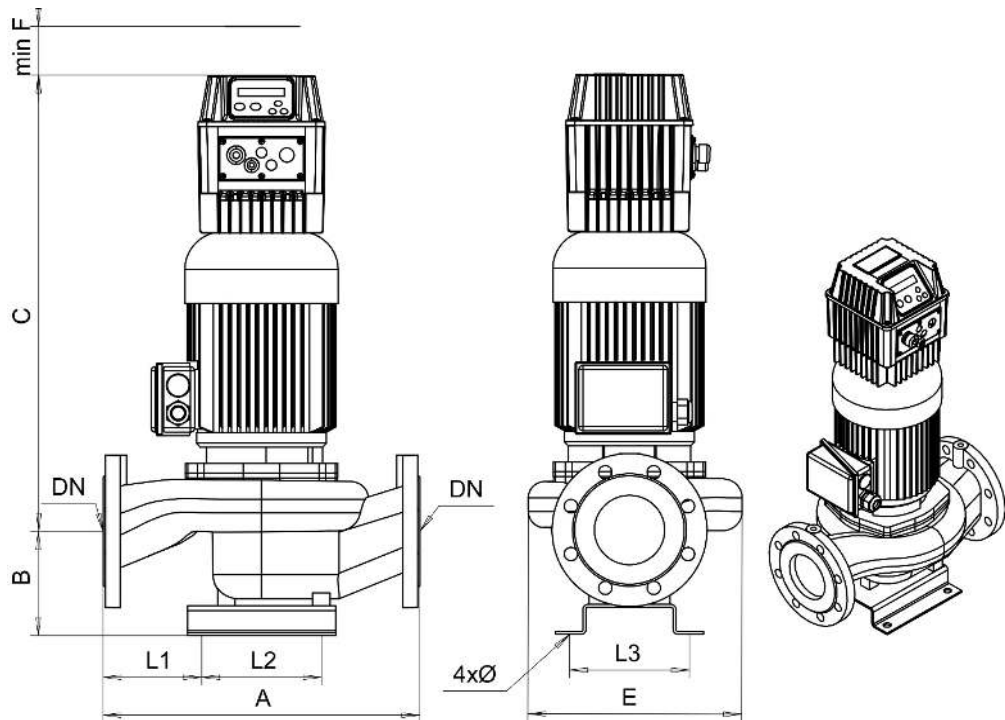
LS-80A/2 NC

DN80

1200 - 3000 r/min

Ø141

3~400 V



[mm]									
A	B	C	minF	E	L1	L2	L3	Ø	
360	140	650	150	270	93	170	93	16	

Motor	P_{2N} [kW]	$I_{in,Max}$ [A] (3x400V)	[kg]	H [mm]
KH-112 E1 F19	4	13,5	74	650