

L-80A/2 NC

LH-80A/2 NC

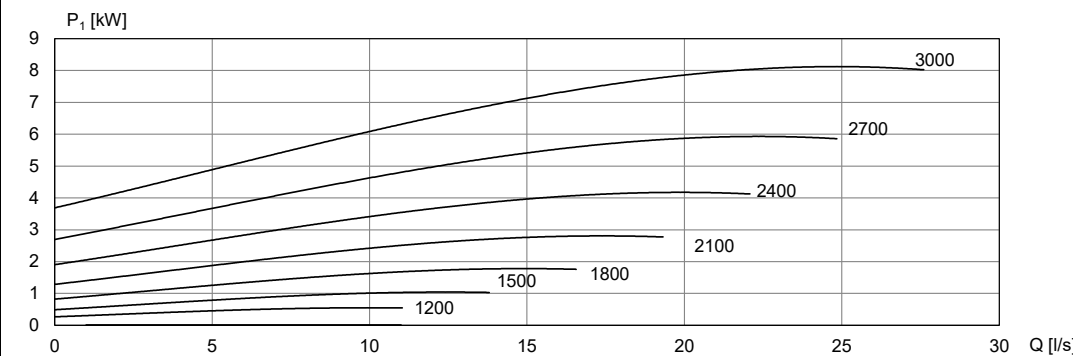
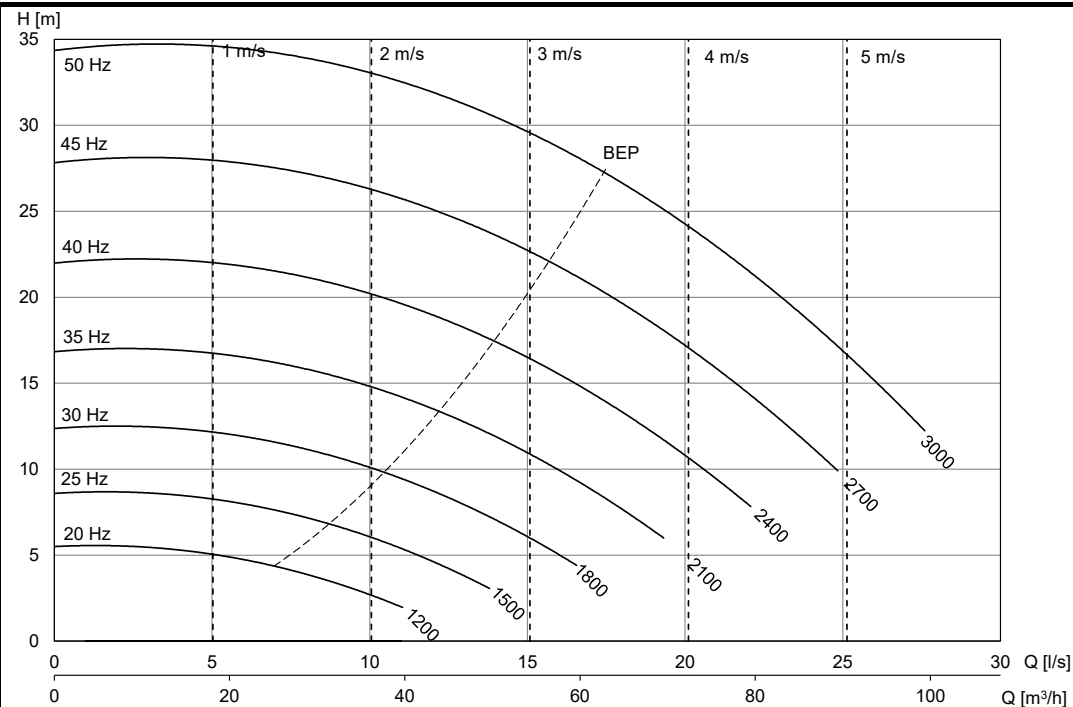
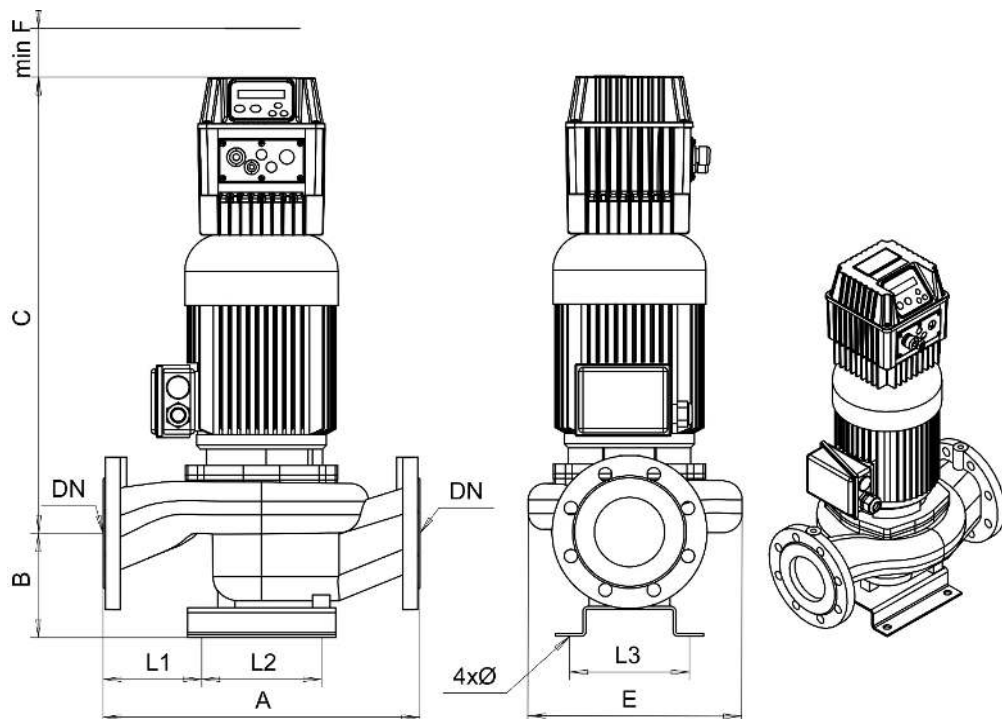
LS-80A/2 NC

DN80

1200 - 3000 r/min

Ø166

3~400 V



[mm]								
A	B	C	minF	E	L1	L2	L3	Ø
360	140	660	150	270	93	170	93	16

Motor	P _{2N} [kW]	I _{in,Max} [A] (3x400V)	[kg]	H [mm]
KP-132 E1 F19	7,5	21,0	108	660