

L-80A/4 VS

LH-80A/4 VS

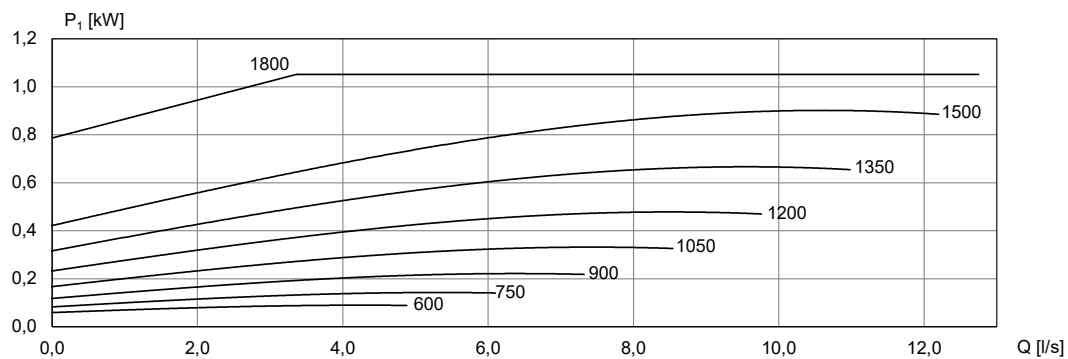
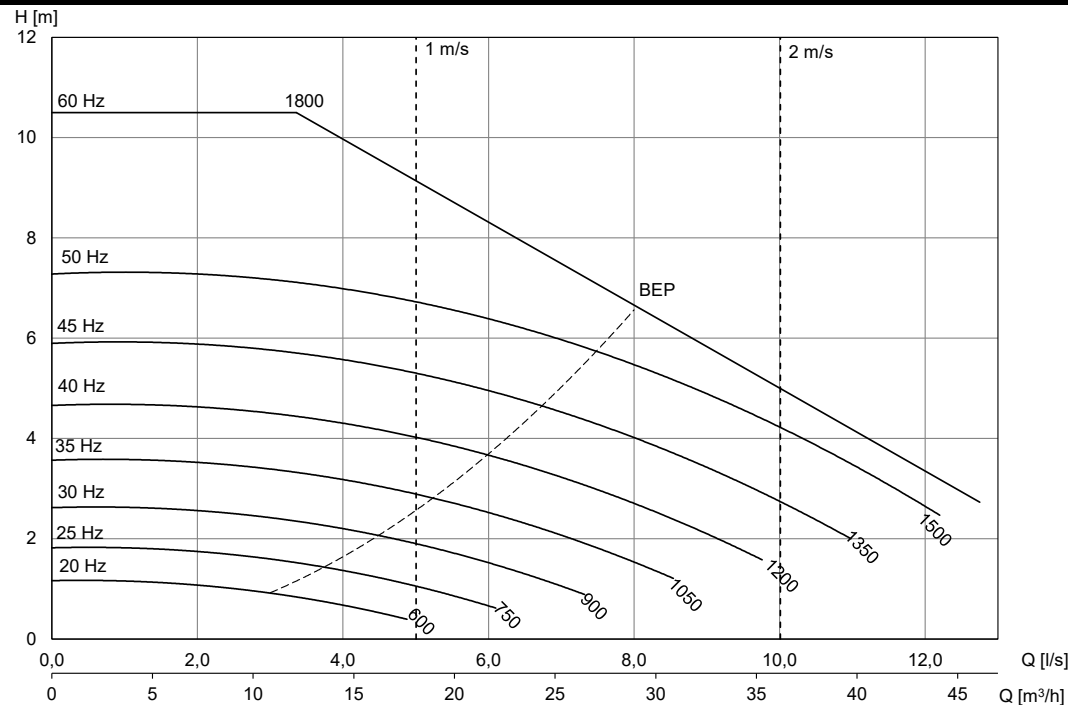
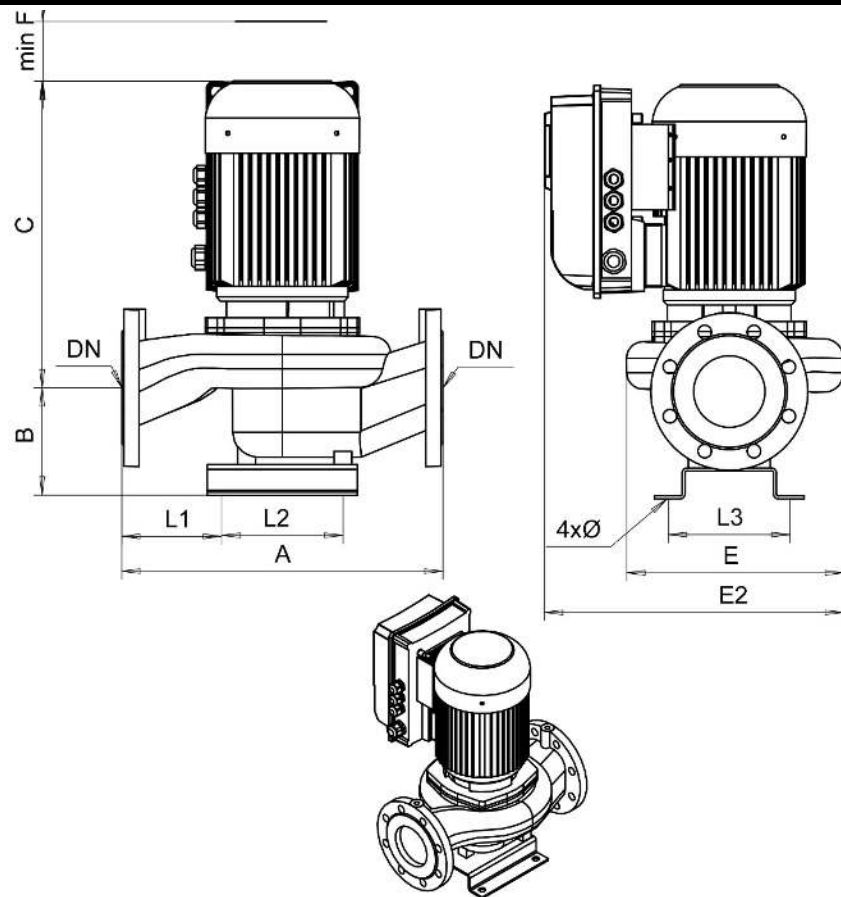
LS-80A/4 VS

DN80

600 - 1800 r/min

Ø158

3~ 400 V



[mm]									
A	B	C	minF	E	E2	L1	L2	L3	Ø
360	140	455	150	270	395	93	170	170	16

Motor	P_{2N} [kW]	I_N [A] (3x400V)	[kg]
KPVS-80-2 F19	0,75	3,0	49