

L-80S/4 NC

LH-80S/4 NC

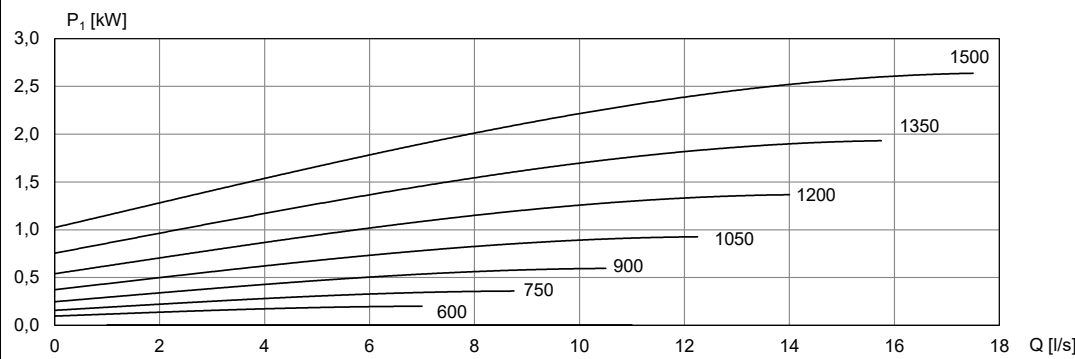
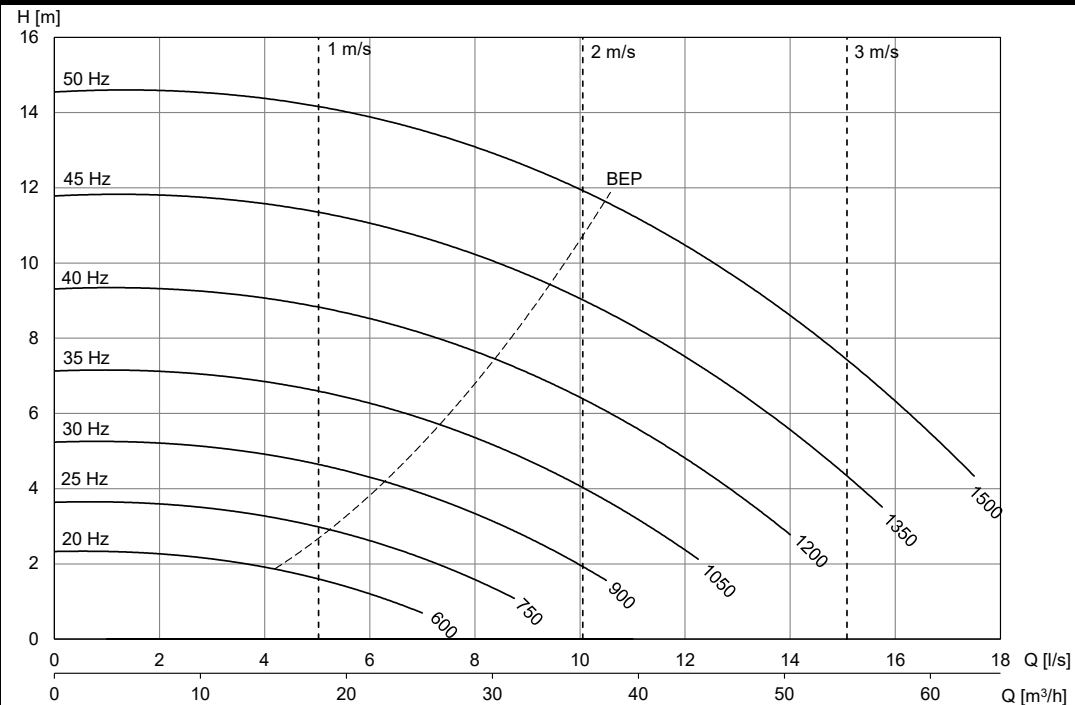
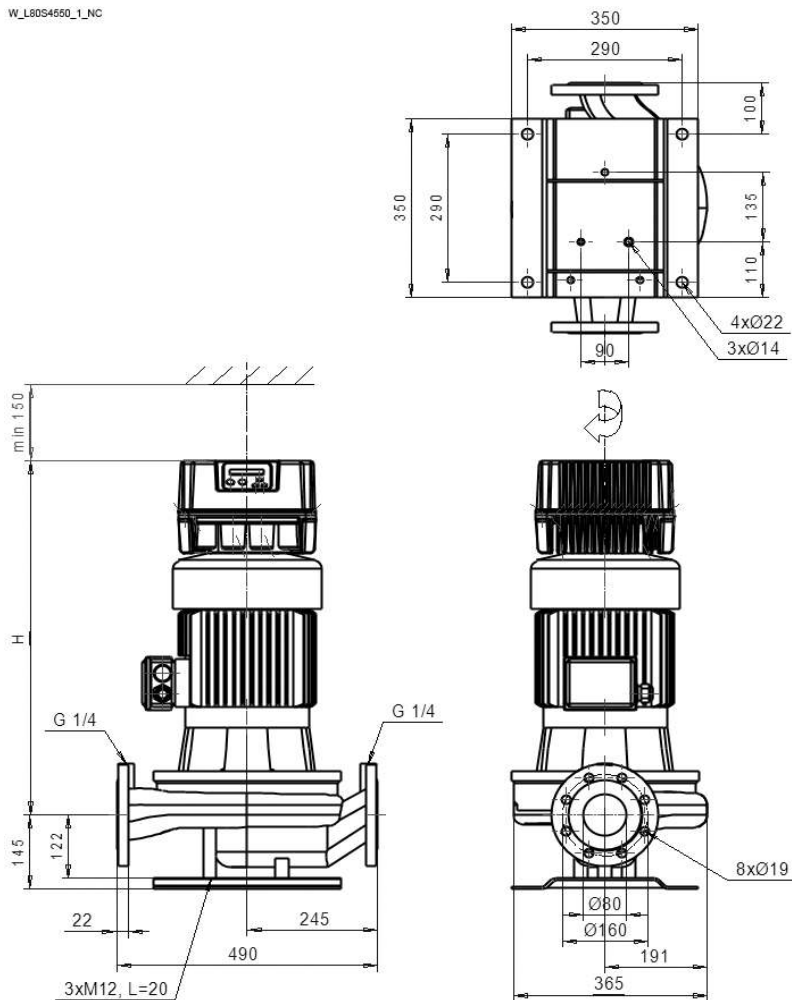
DN80

600 - 1500 r/min

Ø210

1~230 V

W\_L80S4660\_1\_NC



Motor	P <sub>2N</sub> [kW]	I <sub>in,Max</sub> [A] 1x230V)	[kg]	H [mm]
KH-112 C2 F29	2,2	20,0	108	705