

L-80S/4 NC

LH-80S/4 NC

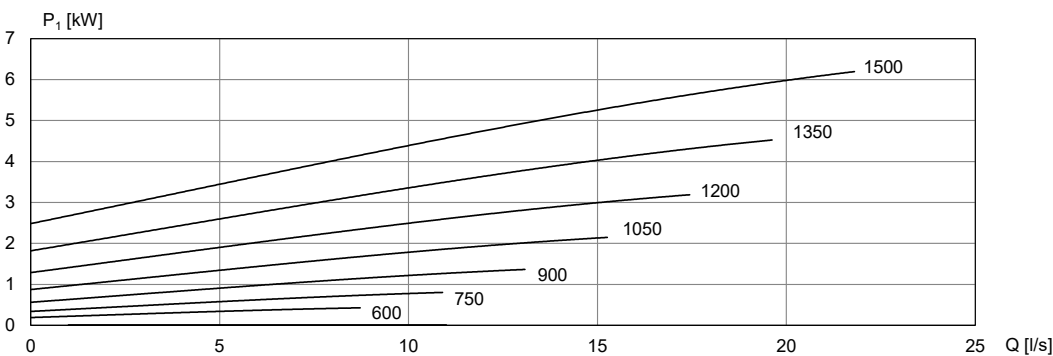
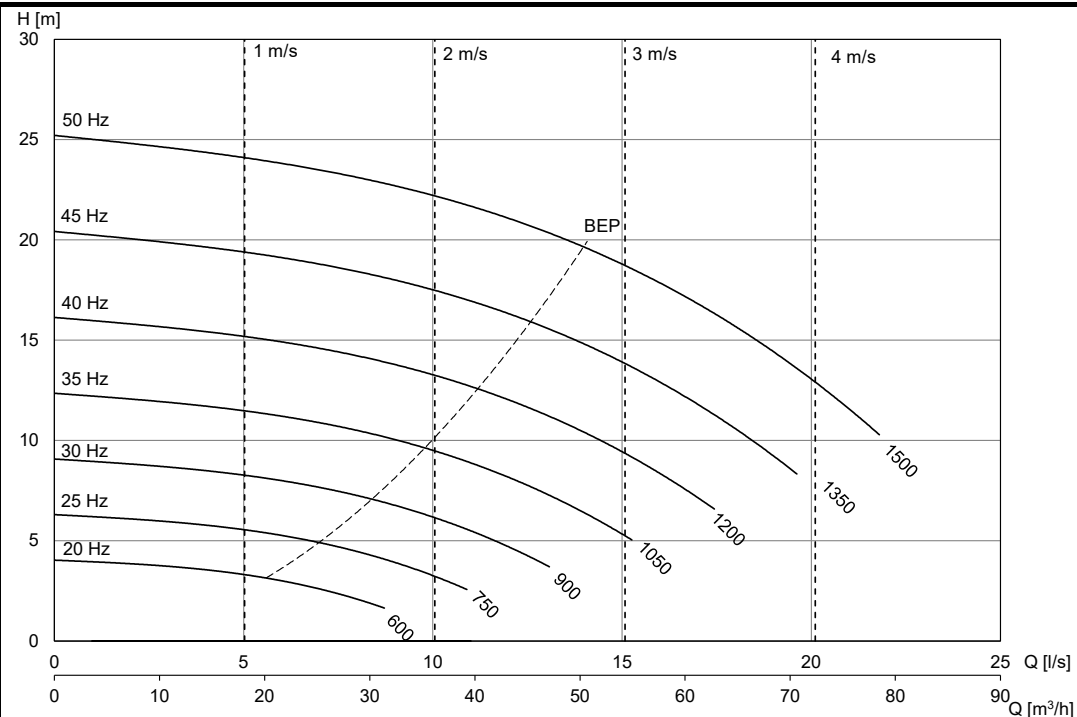
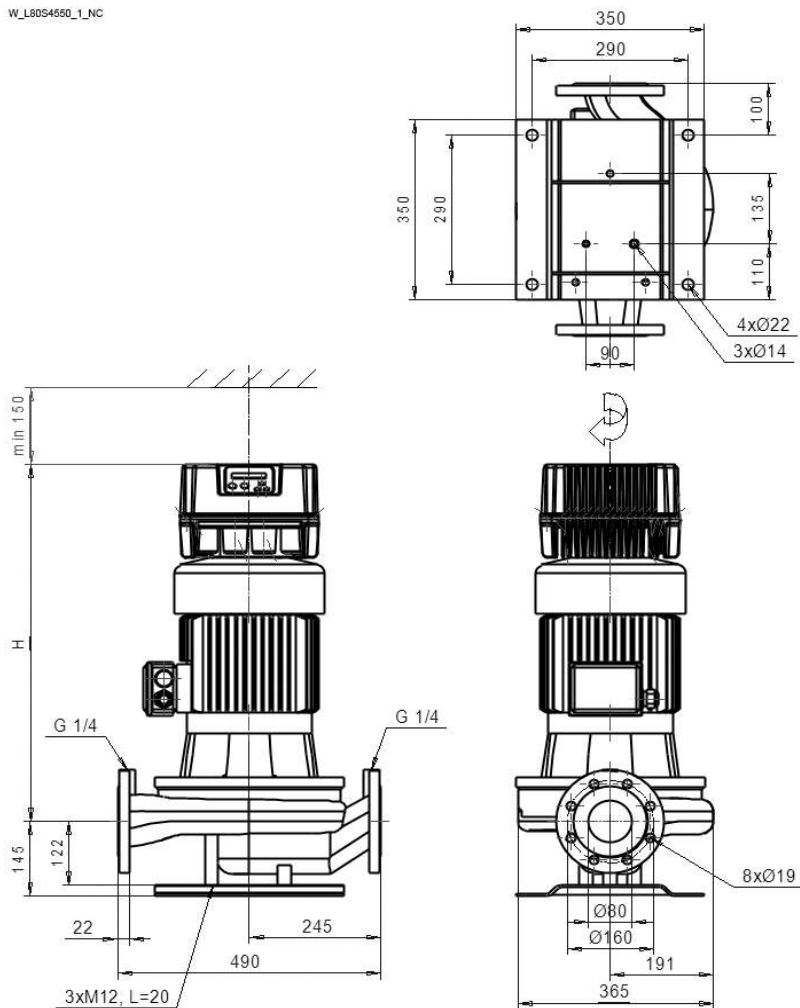
DN80

600 - 1500 r/min

Ø270

3~400 V

W_L80S4550_1_NC



Motor	P_{2N} [kW]	$I_{in,Max}$ [A] (3x400V)	[kg]	H [mm]
KH-132 E2 F29	5,5	16,0	147	700