

AB050-002

SpiroTop Automatic Air Vent HT

Specifications

ArticleNr	AB050-002
Product description	SpiroTop Automatic Air Vent HT
Description	SpiroTop
Dry weight	0,7 Kg

Design Criteria

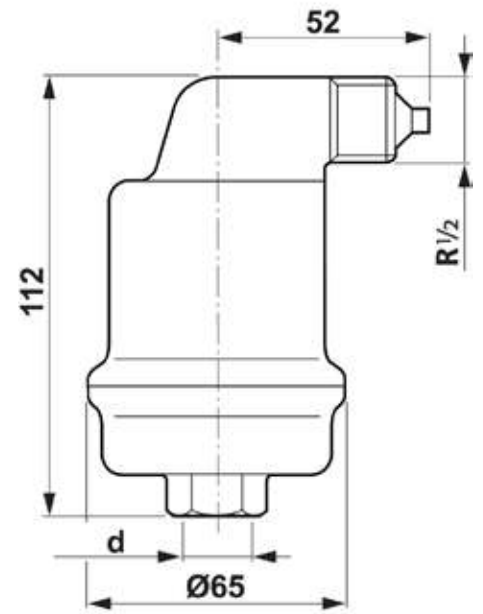
Medium	Water /glycol (max 50%)
Max. pressure	10 bar-g
Max. temperature	180 °C

Testing & Quality assurance

Test pressure	7 bar-g
Test medium	Air
Test certificate	no
Design & manufacturing acc. 97/23/ EC	PED Art. 3.3

Construction Materials

Deaeration cap	Brass
Housing	Brass



Dimensions

H	112 mm
---	--------