

# SPIROTECH SPECIFICATION SHEET



Product: SpiroTrap 22 mm Compression fitting

Type:

AE022

Date:

11/19/2019

Customer:

Project:

Reference:

## Design criteria

|                     |                          |                   |
|---------------------|--------------------------|-------------------|
| Medium:             | Water / glycol (max 50%) |                   |
| Max. flow velocity: | 1                        | m/s               |
| Max. flow rate:     | 1.30                     | m <sup>3</sup> /h |
| Max. pressure:      | 10                       | bar-g             |
| Max. temperature:   | 110                      | °C                |
| Design standard:    | EN 13445                 |                   |

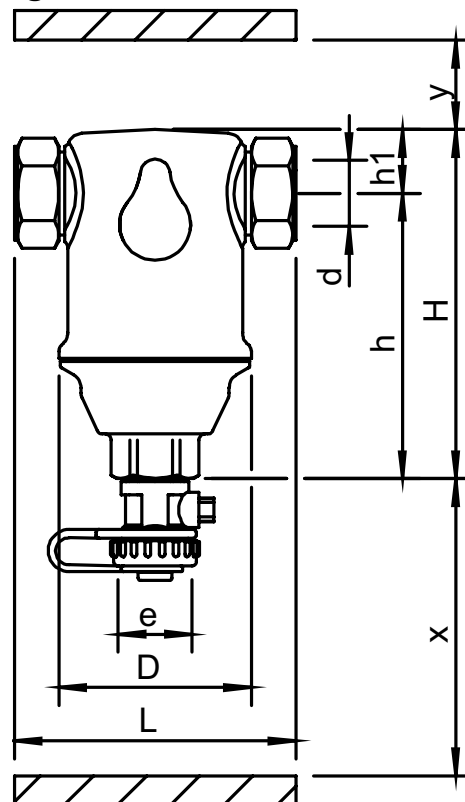
## Testing and quality assurance

|   |     |
|---|-----|
| Leakage test:                             | no  |
| Test certificate:                         | no  |
| Design and manufacturing acc. 2014/68/EU: | yes |
| Material certificates (structural parts): | no  |
| Drawing:                                  | no  |

## Construction materials

|                   |                    |
|-------------------|--------------------|
| Body:             | Brass              |
| Drain valve:      | Brass              |
| Spirotube Tube:   | S235 JR G2 (St.37) |
| Spirotube Wire:   | Copper             |
| Spirotube Solder: | Tin(SnCu3)         |

## Drawing



## Dimensions

|     |        |
|-----|--------|
| d:  | 22 mm  |
| H:  | 118 mm |
| h:  | 96 mm  |
| h1: | 22 mm  |
| L:  | 106 mm |
| D:  | 65 mm  |
| x:  | >70 mm |
| y:  | >50 mm |
| e:  | G3/4   |

Volume 0.18 ltr

Dry weight (approx) 1.2 kg

Subject to changes