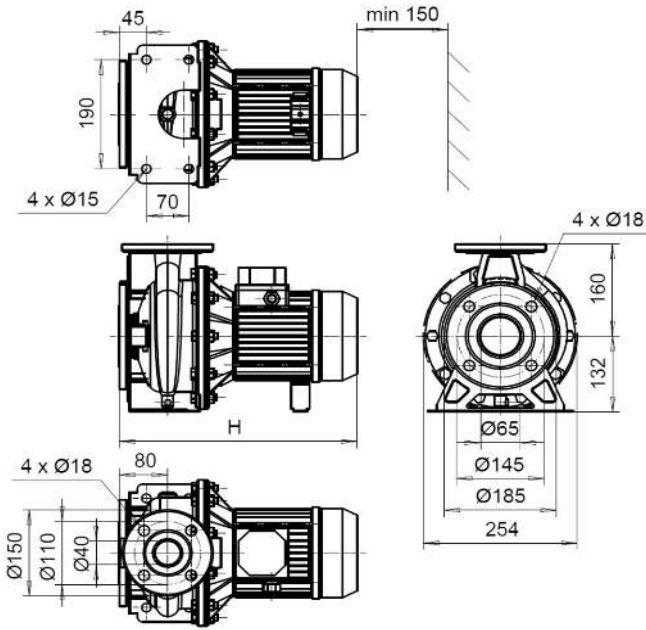


KD-40-160/4

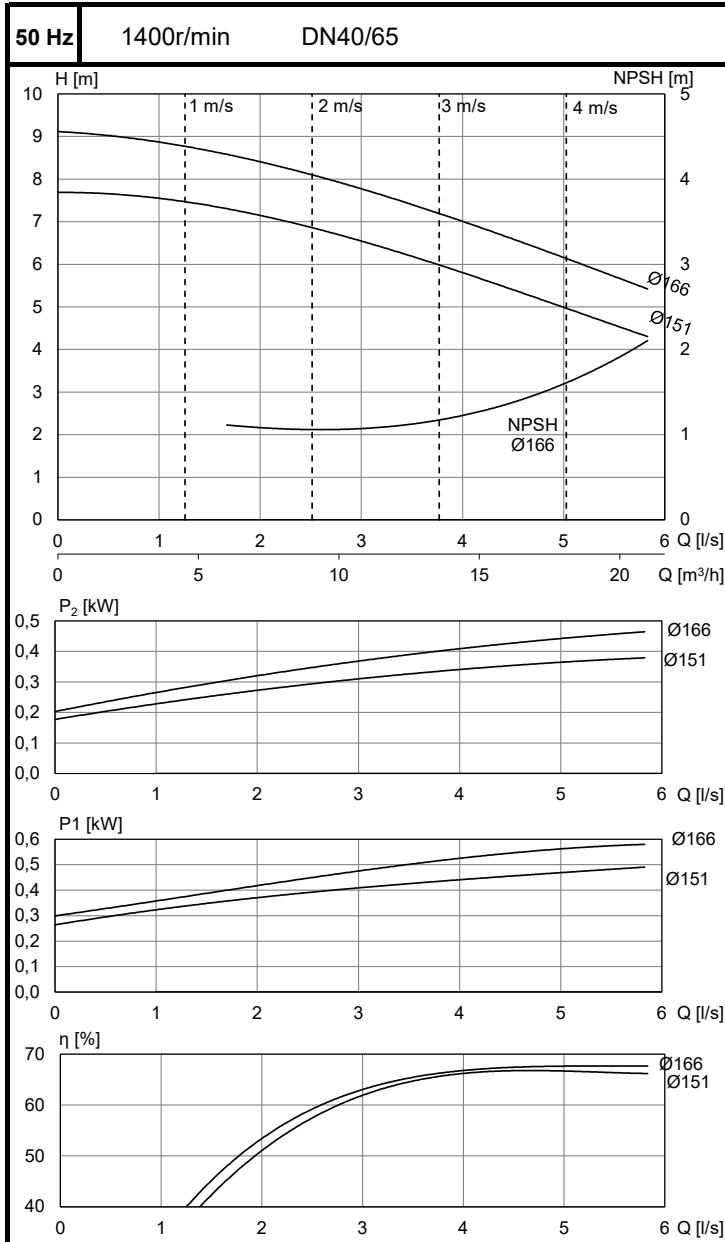
K-40-160/4

KM-40-160/4

P161522



ZH05	P_{2N} [kW]	I_N 400V [A]	m [kg]	H [mm]
	0,55	1,6	33	393



60 Hz is not available