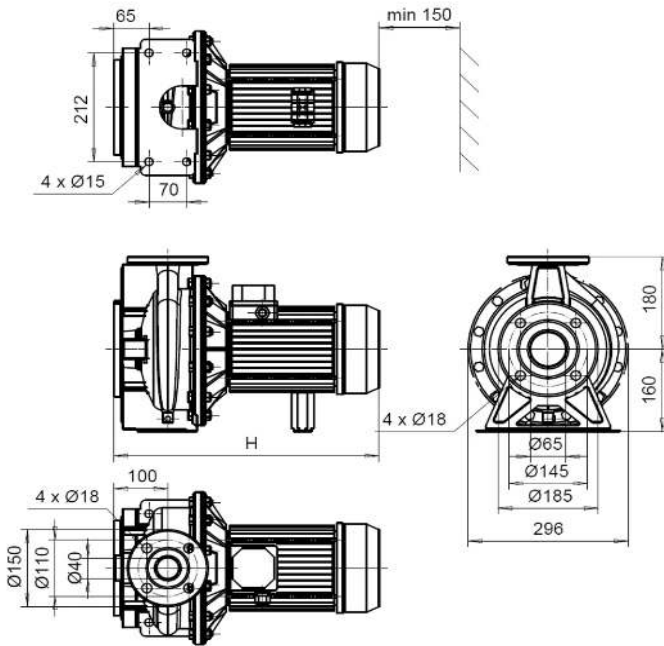


**KD-40-200/4**

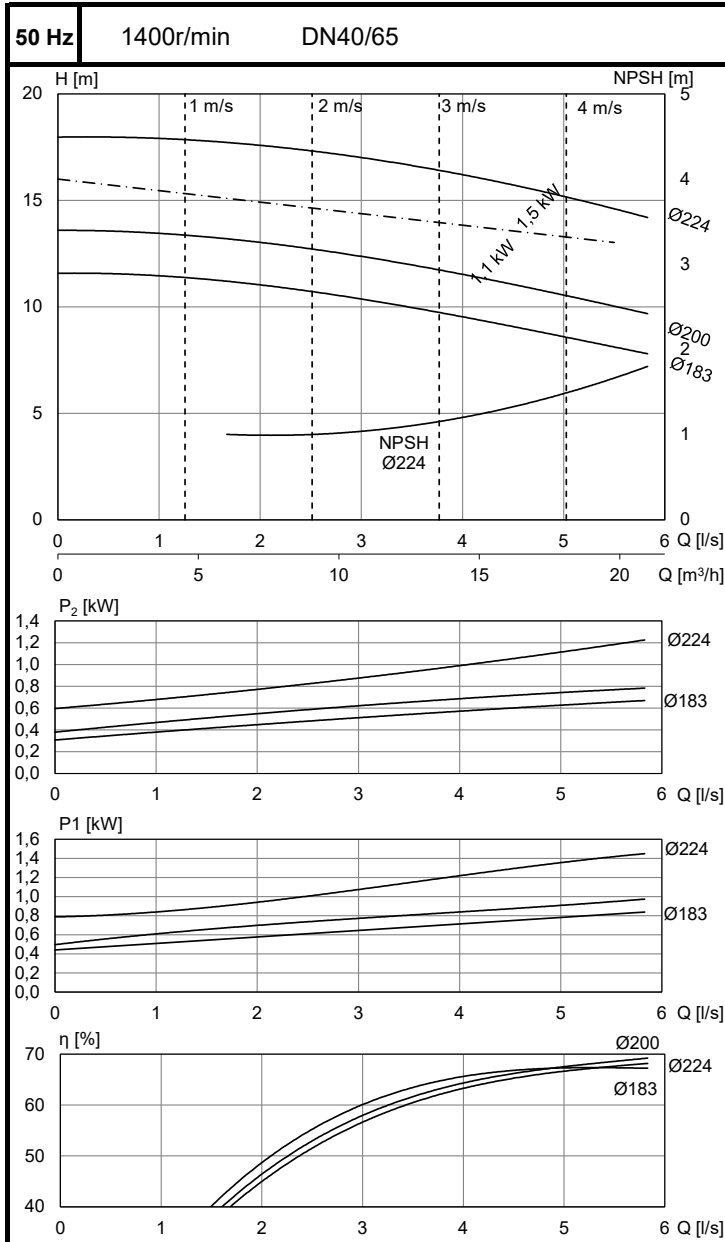
**K-40-200/4**

**KM-40-200/4**

P101524



ZH05	$P_{2N}$	$I_N$ 400V	m	H
	[kW]	[A]	[kg]	[mm]
	1,1	2,5	42	452
1,5	3,6	43	491	



60 Hz is not available